

# SPEAKMAN COMPANY

## **SE-602 Installation, Maintenance & Operation Instructions**

### **SAFE-T-ZONE® EMERGENCY SHOWER AND EYE/FACE WASH**

#### **DESCRIPTION**

Floor mounted emergency deluge shower and aerated eye/face wash combination unit. Shower is supplied with a 1" NPTF self-closing valve, activated by a pull chain and ring. Eye/face wash is supplied with 1/2" NPTF stay-open full flow ball valve, activated by push handle.

#### **SPECIFICATIONS**

SHOWER HEAD: 8" Dia. CYCOLAC® Yellow Plastic.

FLOW CONTROL: Internal 20 gpm Regulator.

VALVE: 1" NPT Female Brass, Chrome-Plated. Self-Closing Valve.

ACTIVATOR: 8" Stainless Steel Ring.

STANCHION: 1-1/4" IPS Steel Piping with Brass Fittings.

INLET & WASTE: 1-1/4" NPT Female.

FLOOR FLANGE: Brass Casting with (3) 17/32" Dia. Mounting Holes on 9" Dia. Bolt Circle, Spaced 120° apart.

FINISH: Safety Green Powder Coating.

EYE/FACE WASH: SE-401 (Reference additional SE-401 I.M.O. sheet)

SHIPPING WEIGHT: 46 lb.

EMERGENCY SIGN: 7-7/8" x 12" Plastic Wall Sign.

#### **OPTIONS**

◇ AL1 (Air Horn Alarm)	◇ FLW (Flow Switch)	◇ SGN6 (Combination Floor Sign)
◇ AL2 (Electrical Alarm)	◇ HS (Hand-held Spray)	◇ SPV (Anti-Scald Protection Valve)
◇ AL3 (Electrical Alarm)	◇ PC (Polished Chrome Shower Head)	◇ SSBV1 (1" Stainless Steel Valve)
◇ AL2-C1D2 (Electrical Alarm / Haz. Area)	◇ BH (Brass Shower Head)	◇ SSBV2 (1/2" Stainless Steel Valve)
◇ AL3-C1D2 (Electrical Alarm / Haz. Area)	◇ SSH (Stainless Steel Shower Head)	◇ TS (Top Supply)
◇ XCH (Extended Chain)	◇ FPV (Anti-Freeze Protection Valve)	◇ VPL (Vapor Proof Light)

#### **INSTALLATION**

When assembling **do not** use wrenches on painted surfaces. Use couplings and pipe to secure and gain leverage. Be sure and use pipe sealant on all threaded connections. When using SE-870 (plastic shower head), use sealant compatible with ABS plastic. Review drawing (as shown on other side) to assure proper location of inlets, outlets, and accessories. The best method to assembling this unit is as follows: (1) Mount the bottom stanchion section to the floor using suitable anchors. Then assemble the middle section and then the top section. (Use pipe sealant on all joints). (2) Rest the eye/face wash bowl on the rubber washer and drain spud, making sure to get the bowl as level as possible. (3) Once bowl is positioned correctly on spud, apply plumbers putty to drain strainer and tighten with hex tool (supplied). (3) Take 1/2" stainless steel flexible hose and connect it to the 1/2" NPTM supply outlet located on stanchion and 1/2" in-line strainer on eye/face wash. (4) Assemble pull ring and shower head. (5) Once unit is completely assembled, connect potable water supply to 1-1/4" top inlet, and 1-1/4" waste to bottom outlet. Failure to use potable water can result in emergency units producing impure or contaminated water causing possible further injury. The drain tailpiece or waste should be connected to an adequate drain in compliance with local plumbing codes.

#### **OPERATION**

The *shower* is activated by pulling the stainless steel ring. Once the valve is activated the head will continue to discharge water until the ring is released. The *eye/face wash* is activated by pushing the push handle back 90°. The unit will operate until the push handle is manually pulled back up to the off position.

#### **TESTING PROGRAM**

The American National Standards Institute (ANSI) states that all safety emergency equipment shall be activated on a weekly basis to flush the line and verify proper operation. Speakman Company furnishes a testing record tag (91-0635) with each unit. On this tag the date of inspection and the inspector's initials should be noted.

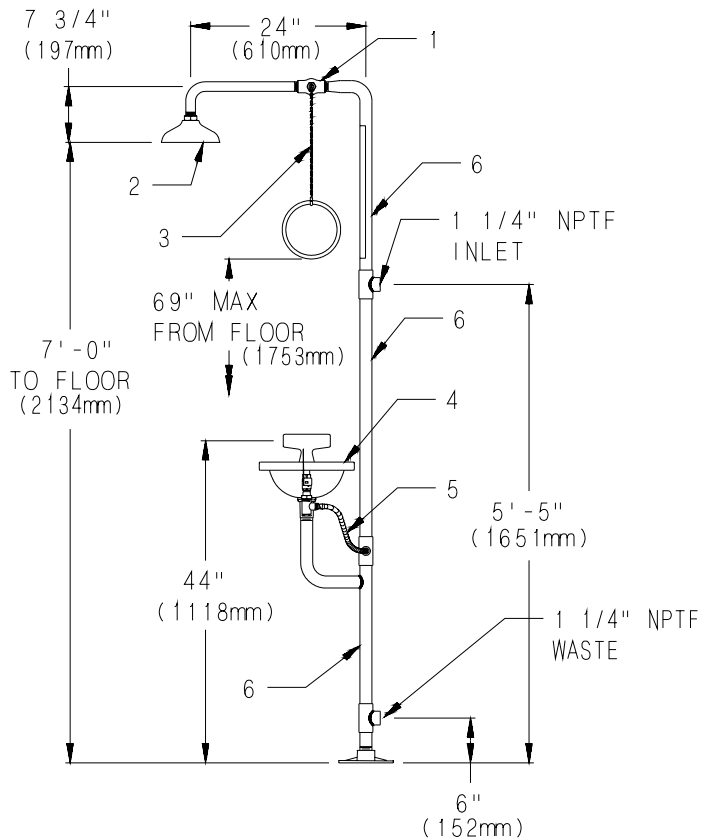
**MAINTENANCE**

The valve and the eye/face wash are the only portion of the unit that may require maintenance. Should you need parts to repair this unit, please reference the parts listing below for correct part numbers. Reference additional technical sheets (supplied) for information on the SE-401 eye/face wash, SE-901 valve, and SE-870 shower head. Before any maintenance is done *be sure to shut the water supply off.*

**WARNING:** Use only genuine Speakman parts when repairing or replacing components. To order parts call 1-800-537-2107.

**SE-602 REPLACEMENT/REPAIR PARTS**

<u>ITEM</u>	<u>PART/GROUP #</u>	<u>DESCRIPTION</u>
1	SE-901-CR	1" Self-Closing Valve with Chain & Ring
2	SE-870	8" Plastic Shower head
3	05-2004-SS	#3 S/S Chain 16" Long
4	SE-401	Eye/Face Wash
5	63-0027	S/S Flexible Hose
6	G74-0032	Stanchion Assy.



**FLOW DATA**

SHOWER:

FLOW PRESSURE PSI (BAR)	30 (2.07)	60 (4.14)
FLOW RATE GPM (LPM)	20 (75)	25 (94)

EYE/FACE WASH:

FLOW PRESSURE PSI (BAR)	30 (1.38)
FLOW RATE GPM (LPM)	9.55 (36.6)

NOTE: This unit should be connected to an uninterrupted source of potable water, with a minimum flowing pressure of 30 PSI and a maximum static pressure of 80 PSI.

Note: All units meet existing ANSI Z358.1 Standards and OSHA Rules. Product improvements may cause specification and dimensional changes without notice.

**SPEAKMAN®**  
 PO Box 191 Wilmington, DE 19899 Phone: 800-537-2107 Fax: 800-977-2747  
 Visit us on the web at [www.speakmancompany.com](http://www.speakmancompany.com)