

Installation, Operation and Maintenance Instructions

*Speakman Company Safe-T-Zone®
Heat Traced Emergency Stations*

You have selected the designated item:

SE-7001

OTHER: _____

SERIAL NO: _____

SPEAKMAN®
PO Box 191 Wilmington, DE 19899 Phone: 800-537-2107 Fax: 800-977-2747
Visit us on the web at www.speakmancompany.com

3/08 Rev-3
92-2904

INSTALLATION INSTRUCTIONS

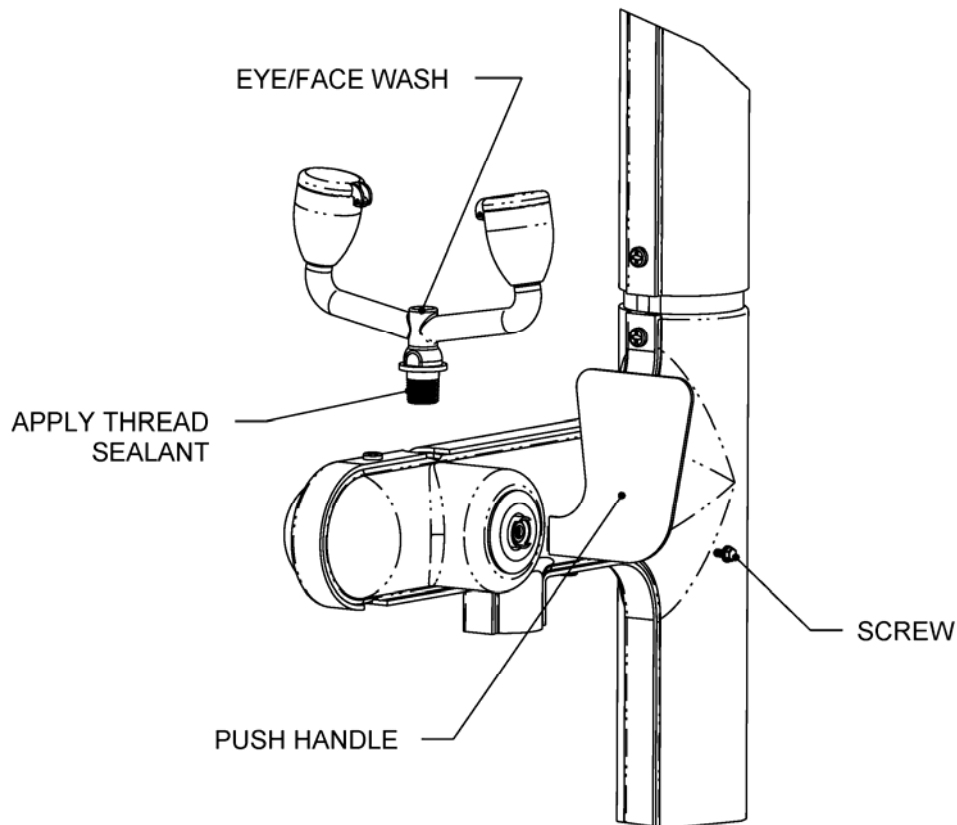
SECURING UNITS

1. SE-7001 is equipped with a cast floor flange. Suitable anchors must be used to ensure that the unit is rigid and properly secured before being used.

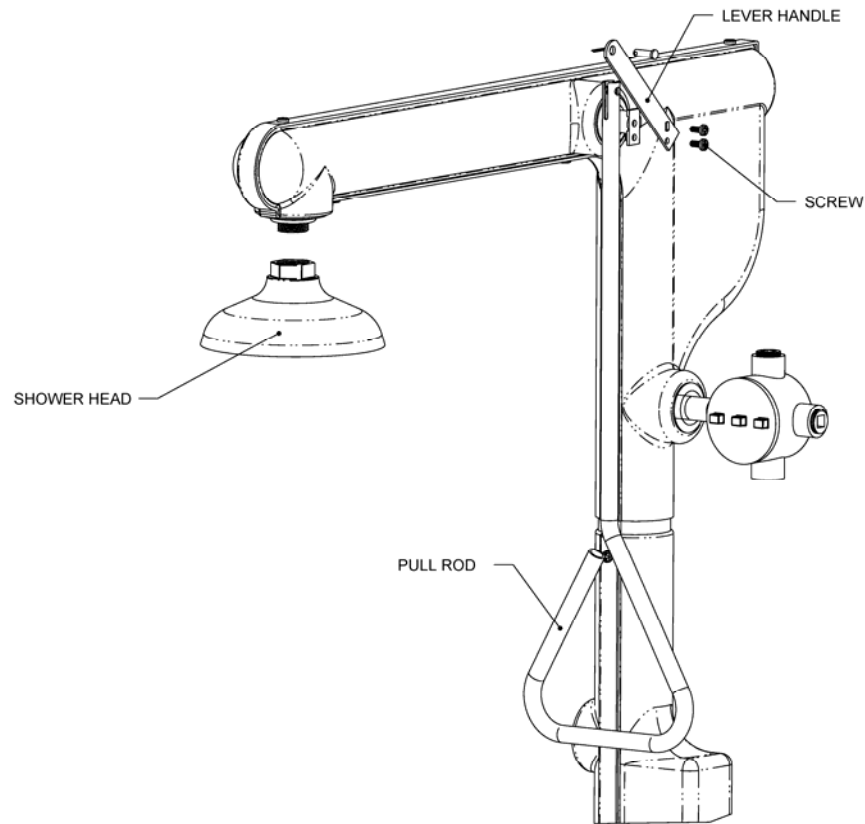
NOTE: If desired or required, additional straps or braces can be used to secure any unit. **(BE SURE NOT TO DRILL OR SCREW ANYTHING INTO THE OUTER PLASTIC SHELL.)**

PLUMBING CONNECTION

1. The installer has the responsibility to see that the unit is connected to a potable water supply, with a temperature that would allow the user to shower for a minimum of 15 minutes without discomfort or shock due to cold water temperature. (ANSI Z358.1 recommends that water temperature be between 60°-90° F.)
2. Inlet connection is 1" pipe. Supply line should have a suitable pressure to deliver a minimum flow of 30 GPM to the shower head.
3. Attach eye/face wash to lower arm by threading assembly into encased tee. Be sure to use a thread sealant to guard against leaks. Fasten push handle to spindle extension on lower arm. Screw is located in extension.



4. Apply a thread sealant and attach shower head to 1" nipple on upper shower arm. Fasten lever handle with screw located in extension. Secure pull rod to lever handle.



PLUMBING NOTES

1. The primary function of this unit is to keep water from freezing.
2. When possible, install unit in an area protected from direct blast of prevailing winter winds, to minimize wind chill factor.
3. **BE SURE WATER SUPPLY PIPING IS PROTECTED FROM FREEZING.**

ELECTRICAL CONNECTION

1. Power supply requirement is 120 VAC, 60 cycle, single phase.
2. Ground-fault protection should be GFPD with a nominal 30 milliampere trip level to prevent nuisance tripping.
3. Minimum 15 AMP breaker is required. (Breaker for shower only)
4. Use #14 AWG wire for power supply and make your hard wire connection inside the junction box. Three (3) indicator wires * are supplied. You can throw these away once you have made your connection.

*Indicator wires: **120 VAC, 60 cycles**

Black wire: Hot
White wire: Common
Green wire: Ground

ELECTRICAL NOTES

1. Make sure power supply is in compliance with **National Electric Code** (N.E.C.).
2. Be sure electrical supply is **NEVER TURNED OFF DURING COLD WEATHER!**
3. If you have a unit without a stanchion light, you are required to light the area where your unit is installed.

OPERATION / TESTING

1. Once electrical connections are complete and unit is assembled and plumbed, test unit to verify water flow by activating the eye/face wash.
2. Activate the shower by pulling the pull rod. Flow should be a full, dense curtain of water. If this type flow is not being attained, check incoming pressure. (20 PSI min. flow pressure)

• UNITS WITH PILOT LIGHT OPTION

Push pilot light lens to verify electric power is on. In cold weather, the red pilot light will glow, indicating the shower's thermostat is closed and the heat tape is operating. **NOTE:** It is normal for the pilot light to glow in above-freezing weather, since the thermostat is sensing the temperature of the water in the pipe and not the outside air. The thermostat will open and the pilot light will go off when water temperature rises above 70° F.

• UNITS WITH AREA LIGHT OPTION

Select units have overhead lights. The overhead light will remain on once power is applied. This light serves two functions: (A) Indicates that there is power to the unit, (B) Helps to locate the safety shower.

MAINTENANCE

1. To ensure proper operation, this unit should be tested weekly per ANSI Z358.1. "Bump" testing both the eye/face wash and shower valve is necessary to be sure water is flowing. Be sure electrical power has not been disrupted. On units with pilot light feature, push pilot light lens to assure that electrical current is being supplied to unit.
2. Be sure power supply is locked out before doing any electrical maintenance to this unit. (especially in hazardous locations)
3. Available replacement parts can be found on attached sheet. If you cannot find what you need, or if you have any problem with instruction, contact your local Speakman representative, or Speakman Company Customer Service at 1-800/537-2107, FAX: 1-800/977-2747.

FLOW DATA

Shower:

FLOW PRESSURE PSI (BAR)	30 (2.07)	60 (4.14)
FLOW RATE GPM (LPM)	20 (75)	25 (94)

Eye/Face Wash:

FLOW PRESSURE PSI (BAR)	30 (2.07)
FLOW RATE GPM (LPM)	3.82 (14)

REPLACEMENT COMPONENTS

Standard Items for all units:

1	G05-0716	Eye/face wash assembly
2	G38-0211-MO	Deluge shower head
3	G47-0046-29	Aluminum Pull rod assembly
4	04-0547	Stainless lever for shower valve
5	04-0524	Paddle handle for eye/face wash

Not Shown:

03-0515	Stem extension for ½" ball valve
03-0516	Drive extension for ½" ball valve
03-0513	Stem extension for 1" ball valve
03-0514	Drive extension for 1" ball valve

Components that are not listed, are factory installed and not recommended for field replacement. If you have a need for such components, please contact your Speakman Company representative, or Speakman Company Customer Service at 1-800/537-2107,
FAX: 1-800/977-2747.

Please fill in and return the product registration card within 10 days of installation to activate your warranty. Your attention to this item will ensure receipt of important product updates.

SE-7001 SERIES ROUGH-IN AND REPLACEMENT PART COMPONENTS

