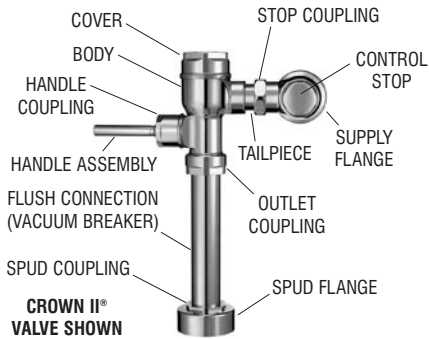


SLOAN®

Crown II® and Crown®

Flushometer Maintenance Guide

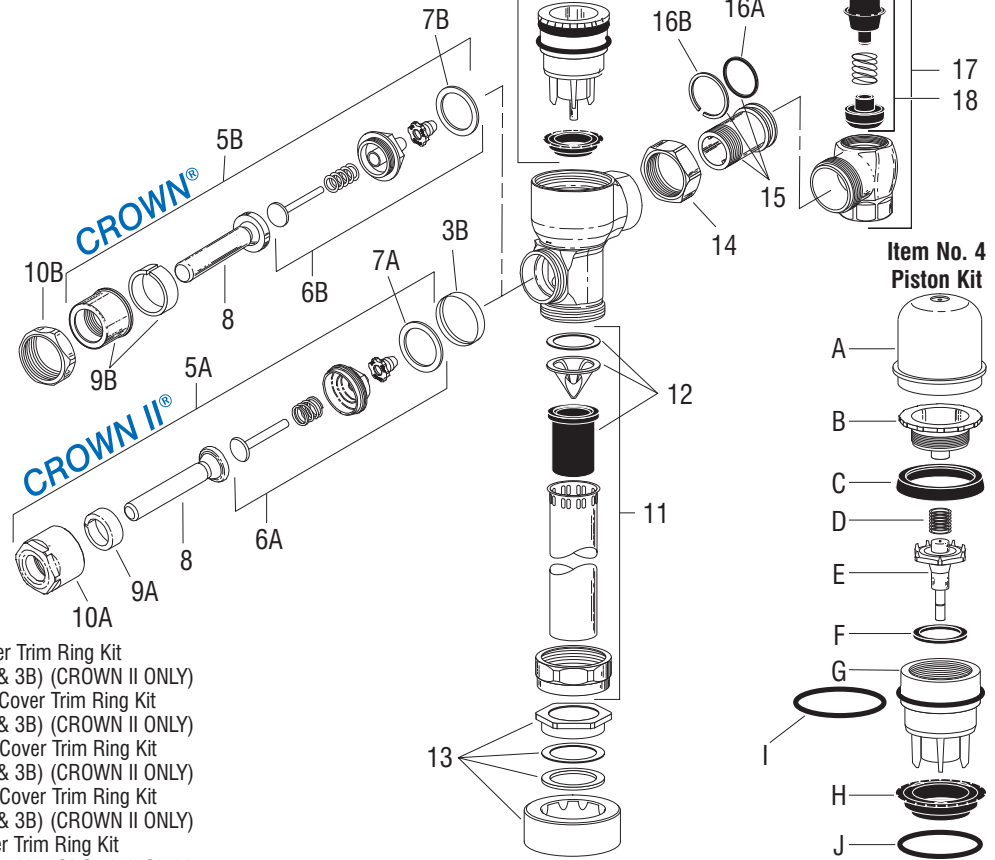


LEGEND

| | |
|-------|----------------|
| CP | Chrome Plate |
| PVDBN | Brushed Nickel |
| PVDGP | Gold Plate |
| PVDPB | Polished Brass |
| SF | Satin Chrome |

PARTS LIST

| ITEM CODE NO. | PART NO. | DESCRIPTION |
|--|-------------------|---|
| 1. | 0332006 CR-116 | CP Cover |
| 2. | 0332030 CR-133 | Cover O-ring |
| 3. | 0332045 CR-132-A | CP Handle and Cover Trim Ring Kit (Includes items 3A & 3B) (CROWN II ONLY) |
| | 0332046 CR-132-A | PVDPB Handle and Cover Trim Ring Kit (Includes items 3A & 3B) (CROWN II ONLY) |
| | 0332047 CR-132-A | PVDGP Handle and Cover Trim Ring Kit (Includes items 3A & 3B) (CROWN II ONLY) |
| | 0332048 CR-132-A | PVDBN Handle and Cover Trim Ring Kit (Includes items 3A & 3B) (CROWN II ONLY) |
| | 0332049 CR-132-A | SF Handle and Cover Trim Ring Kit (Includes items 3A & 3B) (CROWN II ONLY) |
| 3A. | 0332035 CR-134 | Cover Trim Ring (CROWN ONLY) |
| | 0332009 CR-120 | PVDPB Cover Trim Ring (CROWN II ONLY) |
| | 0332032 CR-120 | PVDGP Cover Trim Ring (CROWN II ONLY) |
| | 0332033 CR-120 | PVDBN Cover Trim Ring (CROWN II ONLY) |
| | 0332034 CR-120 | SF Cover Trim Ring (CROWN II ONLY) |
| 3B. | 0332005 CR-113 | PVDPB Handle Trim Ring (CROWN II ONLY) |
| | 0332027 CR-113 | PVDGP Handle Trim Ring (CROWN II ONLY) |
| | 0332028 CR-113 | PVDBN Handle Trim Ring (CROWN II ONLY) |
| | 0332029 CR-113 | SF Handle Trim Ring (CROWN II ONLY) |
| 4. | 3332003 CR-1004-A | Piston Kit — 1.6 gpf/6.0 Lpf Water Closet |
| | 3332004 CR-1005-A | Piston Kit — 1.0 gpf/3.8 Lpf Urinal |
| | 3332005 CR-1006-A | Piston Kit — 0.5 gpf/1.9 Lpf Urinal |
| ALL PISTON KITS INCLUDE CR-125-A MAIN SEAT (Item H - See Table) | | |
| 5A. | 0302353 B-30-A | ADA-Compliant Handle Assembly CP |
| 5B. | 0302390 B-73-A | ADA-Compliant Handle Assembly CP |
| 6A. | 3332006 CR-1007 | Handle Repair Kit — 1 per pkg. |
| 6B. | 3302306 B-51-A | Handle Repair Kit — 1 per pkg. |
| 7A. | 0301139 A-31 | Handle Gasket — 1 per pkg. |
| 7B. | 5301139 A-31 | Handle Gasket — 48 per pkg. |
| 8. | 0302389 B-74-A | Handle Grip Sub-Assembly ADA |
| 9A. | 0302309 B-56 | Sleeve |
| 9B. | 0302109 B-7-A | CP Socket Assembly |
| 10A. | 0302354 B-53 | Handle Socket |
| 10B. | 0301082 A-6 | CP Handle Coupling |
| 11. | 3393004 V-600-AA | 3/4" (19 mm) x 9" (229 mm) Vacuum Breaker — 6 per pkg. |
| | 3393006 V-600-AA | 1 1/4" (32 mm) x 9" (229 mm) Vacuum Breaker — 6 per pkg. |
| | 3393007 V-600-AA | 1 1/2" (38 mm) x 9" (229 mm) Vacuum Breaker — 6 per pkg. |
| 12. | 3323182 V-651-A | High Back Pressure Vacuum Breaker Repair Kit |
| 13. | 3332000 CR-1008-A | 3/4" (19 mm) Spud Coupling Assembly |
| | 3332001 CR-1009-A | 1 1/4" (32 mm) Spud Coupling Assembly |
| | 3332002 CR-1010-A | 1 1/2" (38 mm) Spud Coupling Assembly |
| 14. | 0308676 H-550 | Stop Coupling |



| | | |
|------|------------------|--|
| 15. | 0308801 H-551-A | Adjustable Tailpiece (2 1/16" / 52 mm long) |
| 16A. | 5308696 H-553 | O-ring — 24 per pkg. |
| 16B. | 5308381 H-552 | Locking Ring — 12 per pkg. |
| 17. | 0388000 H-700-A | 1" Screwdriver Bak-Chek® Stop CP |
| | 0388001 H-700-A | 3/4" Screwdriver Bak-Chek® Stop CP |
| 18. | 3308853 H-541-A | Control Stop Repair Kit † |
| | 3308856 H-543-A | Control Stop Repair Kit ‡ |
| 19. | 0308612 H-622 | CP Bonnet † |
| | 0308843 H-577 | CP Bonnet ‡ |
| 20. | 3308840 H-573-A | Locking Vandal Resistant Control Stop Cap includes H-573 Stop Cap CP and H-648 Friction Ring † |
| | 0308848 H-582 | Locking Vandal Resistant Control Stop Cap CP ‡ |
| 21. | 3308651 H-651 | Vandal Resistant Control Stop Cap Assembly † |
| 22. | 3308866 H-574 | Control Stop Cap w/Bumper (-YO Variation) † |
| 23. | 3308867 H-576 | Control Stop Cap w/Extended Bumper (-YG Variation) † |
| — | 0305190 EL-190-A | Handle Adapter, converts Optima Version Flushometer to Manual Version (not shown) |

† For use w/H-700-A 1" & 3/4" and H-600-A 1" Screwdriver Bak-Chek® Control Stops.
 ‡ For use w/H-600-A 3/4" Screwdriver Bak-Chek® Control Stops.

| 4. PISTON COMPONENTS (*** indicates component is NOT available separately) | | | |
|---|----------|----------|---|
| ITEM | CODE NO. | PART NO. | DESCRIPTION |
| A | 0332000 | CR-124-A | Inside Cover Sub-Assembly |
| B | *** | *** | Piston Cover |
| C | 0307106 | G-78 | Molded Cup — 1 per pkg. / 5307106 — 12 per pkg. |
| D | 0328019 | SH-406 | Spring — 1 per pkg. / 5328019 — 12 per pkg. |
| E | *** | *** | Relief Valve |
| F | 0307116 | G-95 | Relief Valve Seat |
| G | *** | *** | Piston Body |
| H | 0332013 | CR-125-A | Main Seat |
| I | 0307210 | G-85 | Filter O-ring |
| J | 0305135 | EL-110 | O-ring |

The information contained in this document is subject to change without notice.