



T&S BRASS AND BRONZE WORKS, INC.
 2 Saddleback Cove / P.O. Box 1088
 Travelers Rest, SC 29690



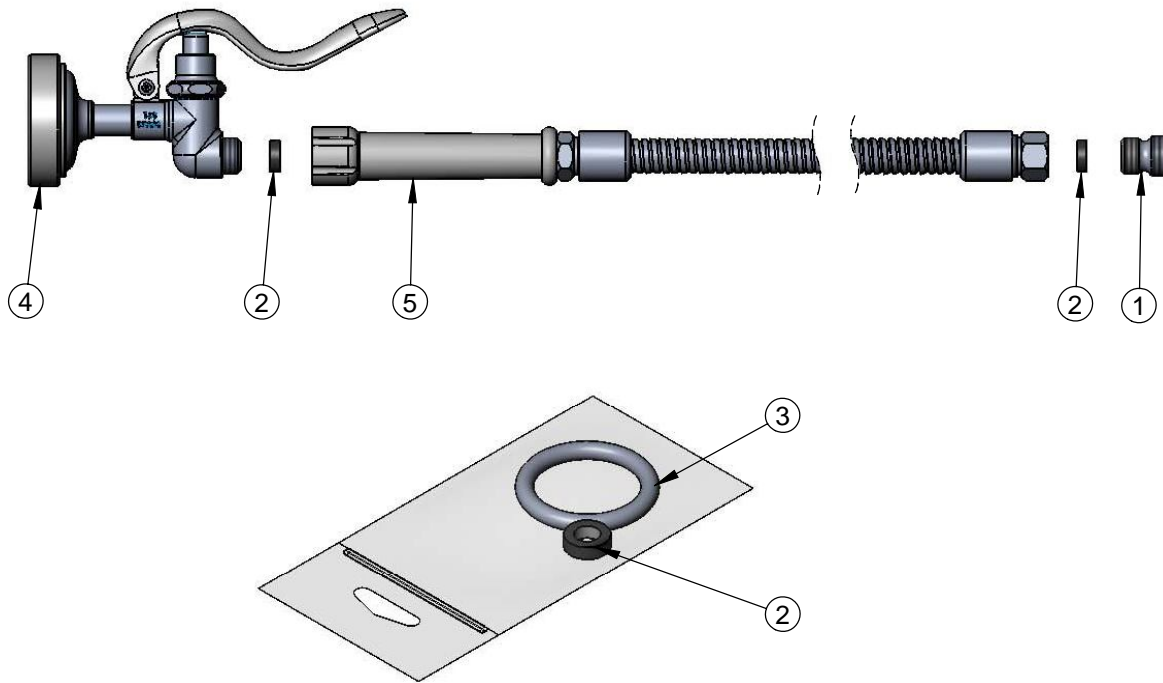
REG. #A2601
 ISO #9001

Model No.
B-0100

Item No.

Travelers Rest, SC: 800-476-4103 Simi Valley, CA: 800-423-0150 Fax: 864-834-3518 www.tsbrass.com

ITEM NO.	SALES NO.	DESCRIPTION
1	000547-25	Adapter
2	010476-45	#27 Washer
3	000907-45	Ring, Spray Valve Hold Down
4	B-0107	Spray Valve Asm
5	B-0044-H	Stainless Steel Hose



Product Specifications:
 B-0107 Spray Valve w/ B-0044-H Flex Hose

Drawn KJG	Checked DHL	Approved JHB
Scale: None		Date: 11/15/07