



T&S BRASS AND BRONZE WORKS, INC.
 2 Saddleback Cove / P.O. Box 1088
 Travelers Rest, SC 29690



REG. #A2601
 ISO #9001

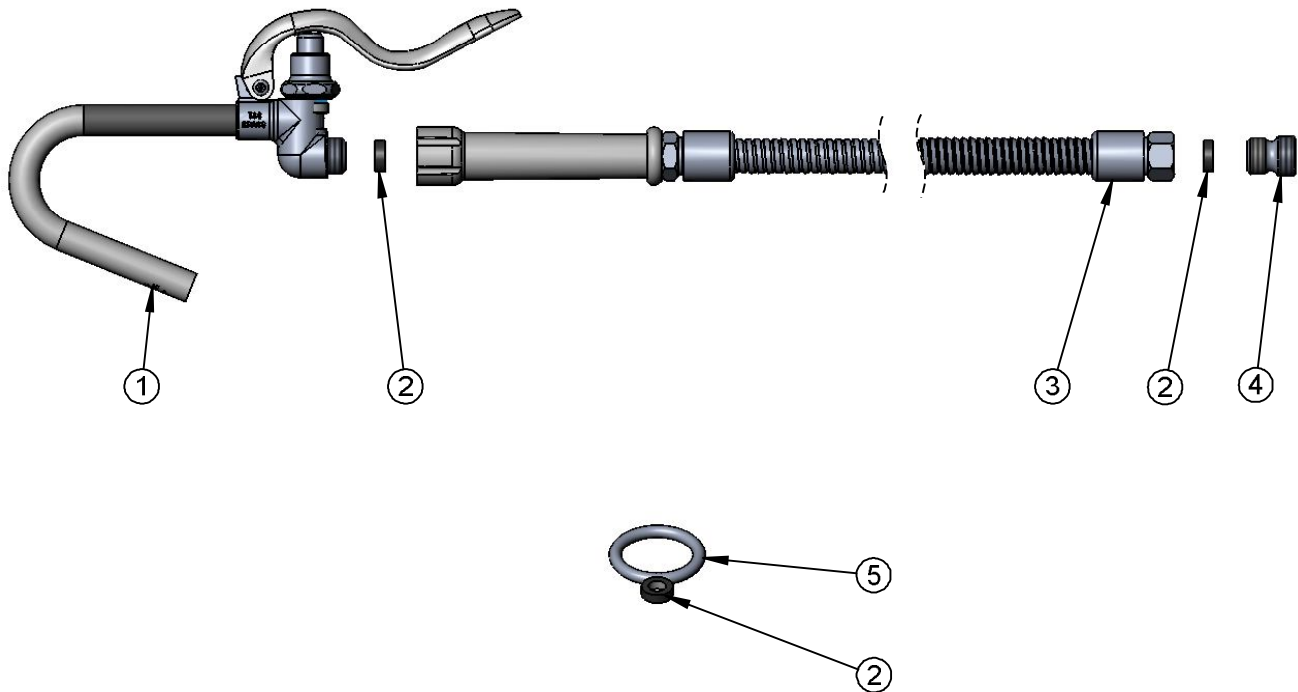
Model No.

B-0102-A

Item No.

Travelers Rest, SC: 800-476-4103 Simi Valley, CA: 800-423-0150 Fax: 864-834-3518 www.tsbrass.com

ITEM NO.	SALES NO.	DESCRIPTION
1	002851-40	B-187 Spray Valve & Hook Nozzle Asm
2	010476-45	#27 Washer
3	B-0068-H	Flex Stainless Steel Hose
4	000547-25	Adapter
5	000907-45	Spray Valve Hold Down Ring



Product Specifications:

Pot Filler Spray Assembly

Drawn

KJG

Checked

DHL

Approved

JHB

Scale:

None

Date:

02/01/08