



T&S BRASS AND BRONZE WORKS, INC.

2 Saddleback Cove / P.O. Box 1088
Travelers Rest, SC 29690



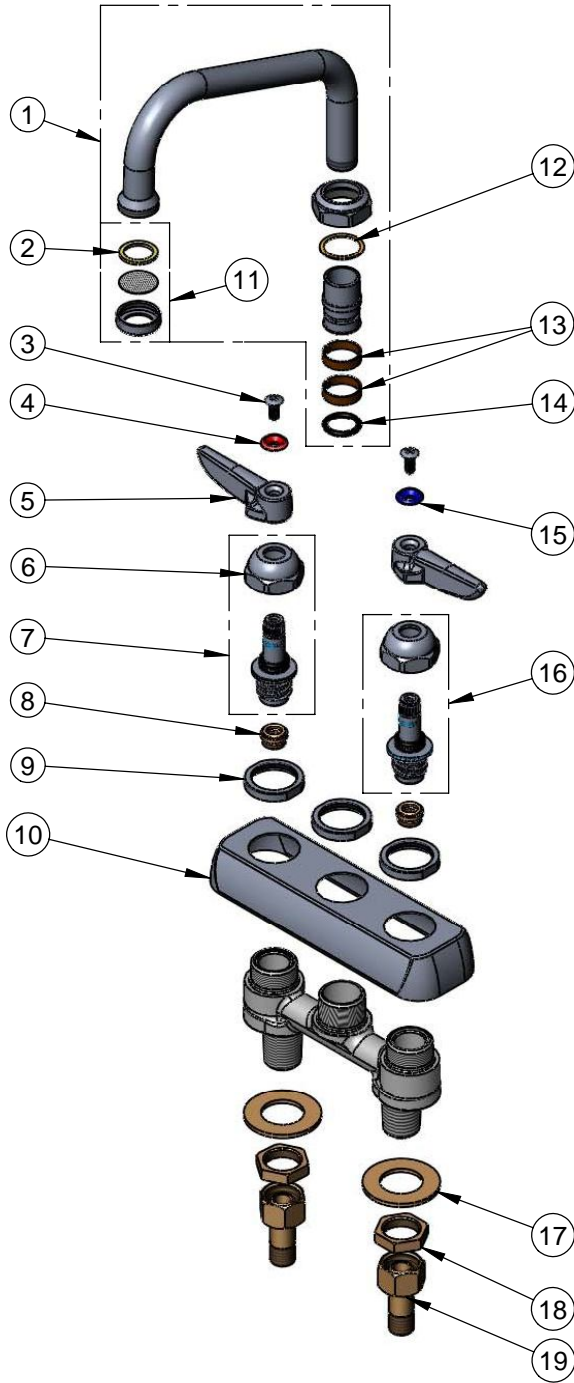
REG. #A2601
ISO #9001

Model No.

B-1100

Item No.

Travelers Rest, SC: 800-476-4103 Simi Valley, CA: 800-423-0150 Fax: 864-834-3518 www.tsbrass.com



ITEM NO.	SALES NO.	DESCRIPTION
1	059X	6" Swing Nozzle Assembly
2	001048-45	Nozzle Tip Washer
3	000922-45	Lever Handle Screw
4	001661-45	Red Index-HW
5	001638-45	Lever Handle
6	009749-25	Bonnet Nut
7	009753-25	B-1100 RH Spindle Assembly
8	000763-20	Seat
9	000712-25	Escutcheon Lock Nut
10	001258-40	Escutcheon
11	B-PT	Stream Regulator Assembly
12	009538-45	Swivel Washer
13	011429-45	Swivel Sleeve (2)
14	001074-45	O-Ring
15	001660-45	Blue Index-CW
16	009754-25	B-1100 LH Spindle Assembly
17	000999-45	Brass Lock Washer
18	002954-45	Shank Lock Nut
19	150A	Bag of (1) Nut & (1) Tailpiece

Product Specifications:

3 1/2" Inlet Centers Workboard Faucet w/ Lever Handles,
6" Swing Nozzle & B-PT Stream Regulator Outlet

Drawn DHL	Checked KJG	Approved JHB
Scale: NTS		Date: 09/29/08