



**T&S BRASS AND BRONZE WORKS, INC.**

2 Saddleback Cove / P.O. Box 1088  
Travelers Rest, SC 29690



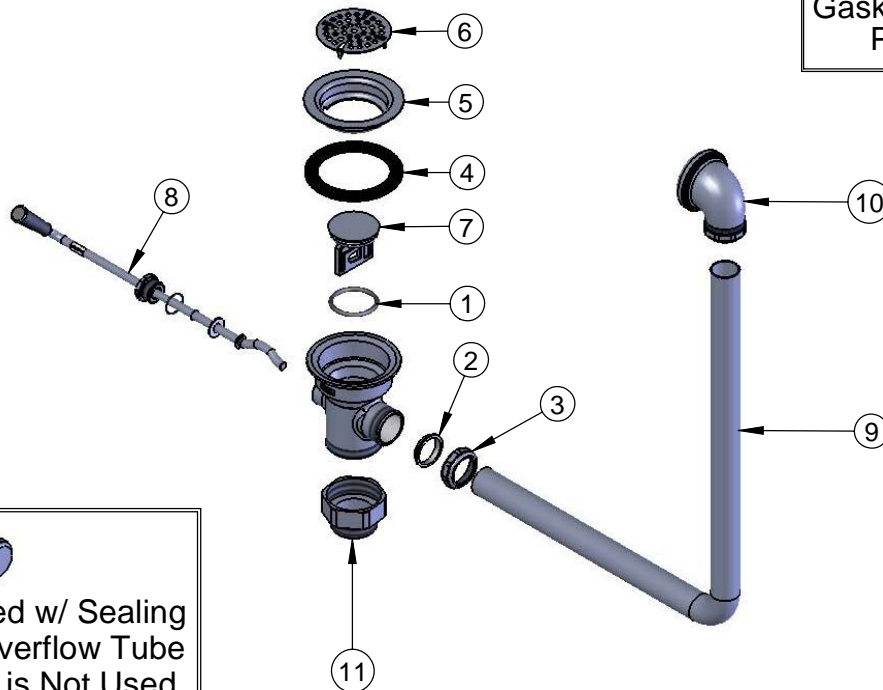
REG. #A2601  
ISO #9001

Model No.  
**B-3940-01**

Item No.

Travelers Rest, SC: 800-476-4103 Simi Valley, CA: 800-423-0150 Fax: 864-834-3518 www.tsbrass.com

| ITEM NO. | SALES NO. | DESCRIPTION                          |
|----------|-----------|--------------------------------------|
| 1        | 010389-45 | O-Ring, Plunger                      |
| 2        | 010390-45 | Ferrule, Coupling Nut                |
| 3        | 010391-45 | Nut, Coupling For Twist Drain        |
| 4        | 010381-45 | Gasket, 3" Face Flange               |
| 5        | 015306-45 | Flange, 3" Face                      |
| 6        | 010385-45 | Strainer, 3" Snap-in                 |
| 7        | 010388-45 | Plunger, Twist Drain                 |
| 8        | 010393-45 | Handle Asm, Rotary Waste Valve Twist |
| 9        | 011355-45 | Tube, Overflow Elbow                 |
| 10       | 011356-45 | Head Asm, Overflow Tube              |
| 11       | B-3945    | Adapter, 2" NPT x 1 1/2" NPT         |



Also Furnished w/ Sealing Cap When Overflow Tube Coupling Nut is Not Used.  
PN# 012640-45

Product Specifications:

Rotary Waste Valve w/ Twist Handle, 3" Sink Opening, 2" Male NPT Outlet, 1 1/2" NPT Male Adapter & Overflow Tube w/ Head Asm.

|                      |                       |                          |
|----------------------|-----------------------|--------------------------|
| Drawn<br><b>DHL</b>  | Checked<br><b>KJG</b> | Approved<br><b>JHB</b>   |
| Scale:<br><b>1:8</b> |                       | Date:<br><b>03/19/09</b> |