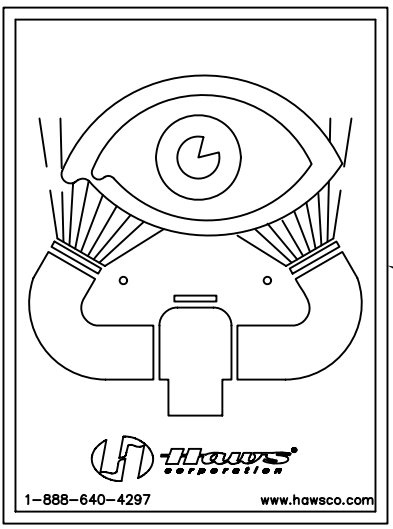
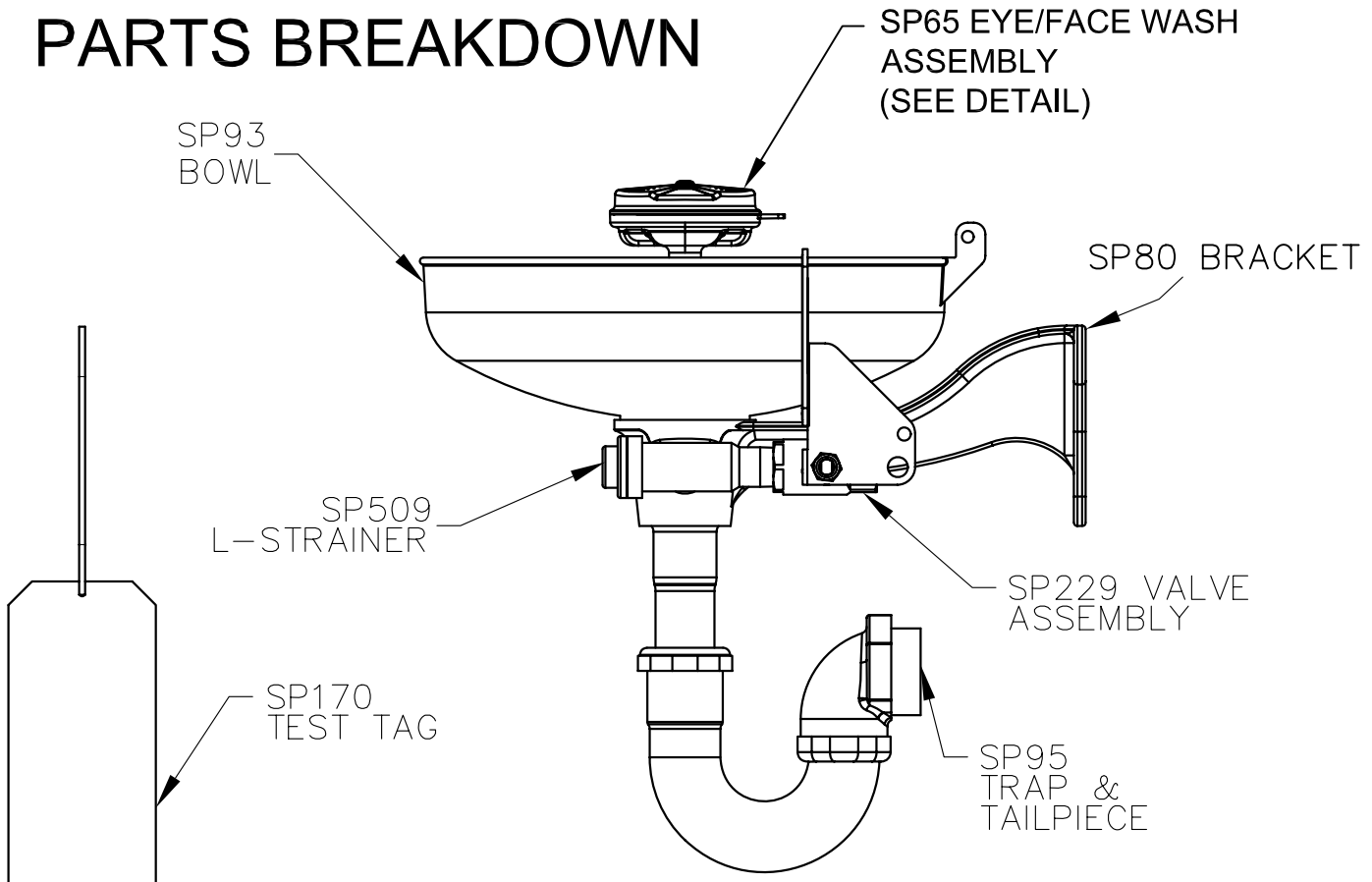
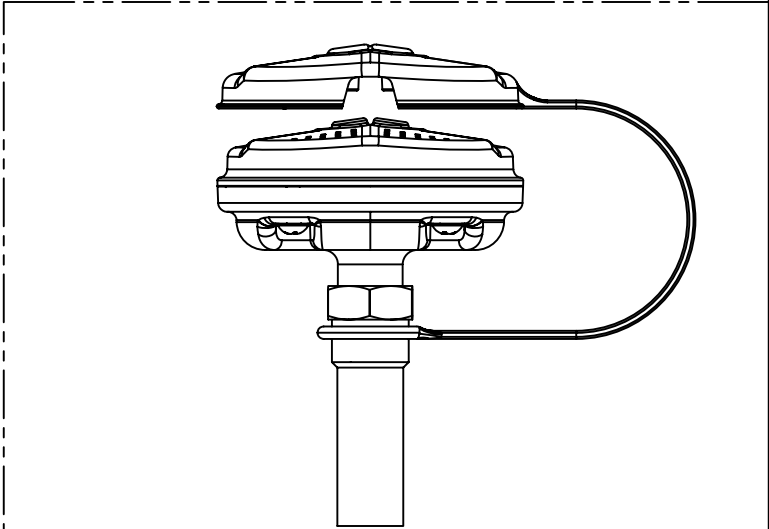


# PARTS BREAKDOWN



SP175  
EYEWASH  
SIGN



**SP65 EYE/FACE WASH ASSEMBLY**  
(INCLUDES: EYEFACE WASH HEAD (SHOWN)  
EYEWASH HEAD (NOT SHOWN), EYEWASH FLOW  
CONTROL (NOT SHOWN), DUST COVER (SHOWN))

**NOTES:**

1. WHEN ORDERING PARTS PLEASE SPECIFY YOUR MODEL NUMBER.
2. TRAP & TAILPIECE SUPPLIED WITH MODEL 7260BT & 7270BT ONLY.

<b>WHEN ORDERING PARTS PLEASE SPECIFY YOUR MODEL NUMBER</b>			1455 KLEPPE LANE SPARKS, NEVADA	BACHWEG 3 CH3401 BURGDORF SWITZERLAND
	DRAWN BY: RTM	DATE: 07/17/02	CHECK BY:	APP'D BY:
	TITLE: 7260B/7260BT/7270B/7270BT			PART NUMBER: 0002080038
	DRAWING TYPE: PARTS BREAKDOWN			DRAWING NUMBER: 15345A00
				SCALE: 1/4
				REV. 13