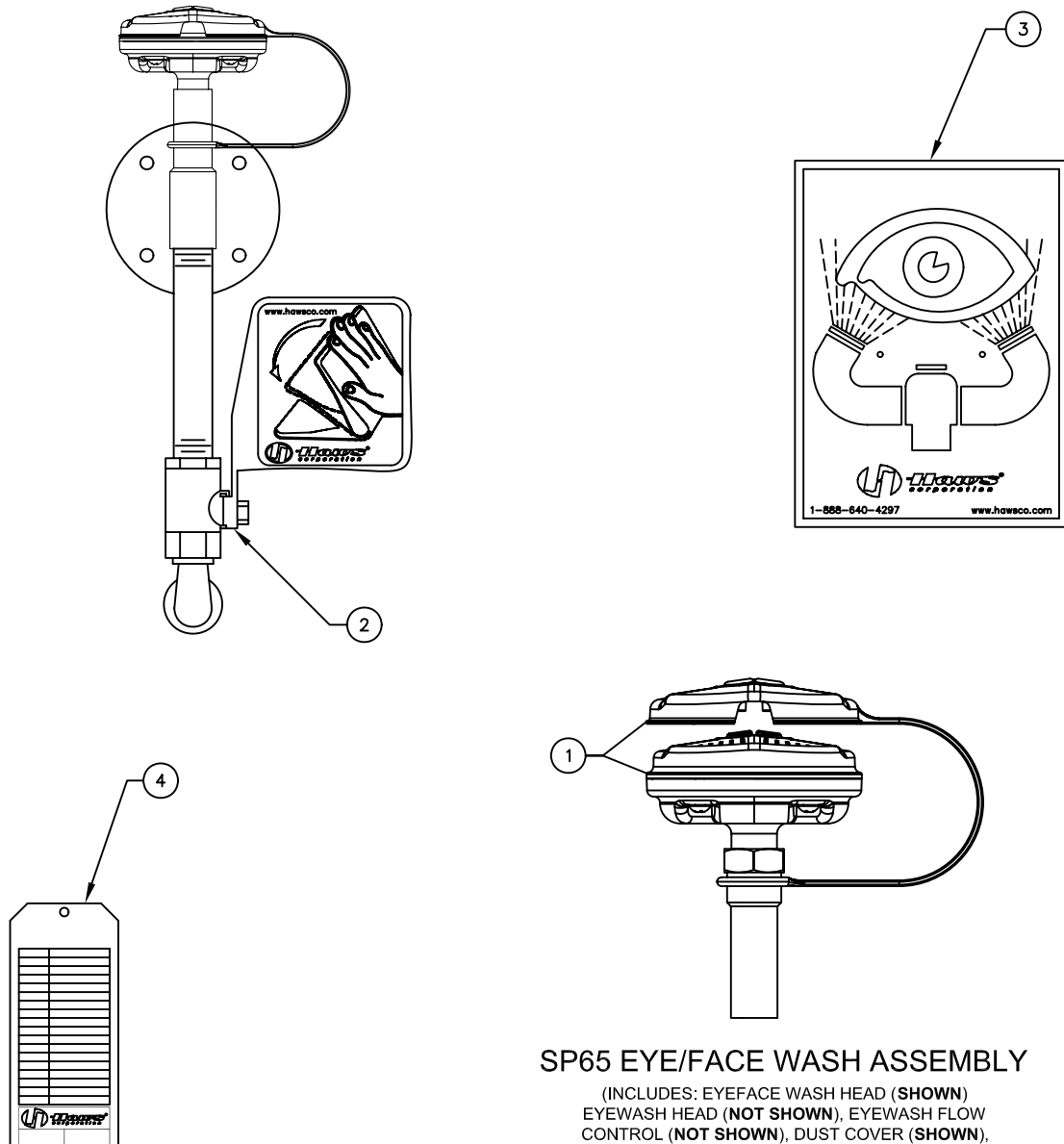



| ITEM | DESCRIPTION |
|------|-------------------------|
| 1 | SP65 EYE/FACE WASH ASSY |
| 2 | SP238 VALVE - VERTICAL |
| 3 | SP175 EYEWASH SIGN |
| 4 | SP170 TEST TAG |

PARTS BREAKDOWN



SP65 EYE/FACE WASH ASSEMBLY

(INCLUDES: EYEFACE WASH HEAD (SHOWN)
 EYEWASH HEAD (NOT SHOWN), EYEWASH FLOW
 CONTROL (NOT SHOWN), DUST COVER (SHOWN),
 ADAPTER (SHOWN))

| | | | | | |
|---|--|----------------|------------------------------------|---|-----------|
| WHEN ORDERING PARTS PLEASE SPECIFY YOUR MODEL NUMBER |  | | 1455 KLEPPE LANE SPARKS, NEVADA | BACHWEG 3 CH3401 BURGENDORF SWITZERLAND | |
| | DRAWN BY: CLF | DATE: 03/02/93 | CHECK BY: | SCALE: 1/2 | |
| | TITLE: 7324 EYE/FACE WASH | | | PART NUMBER: 0002080068 | |
| | DRAWING TYPE: PARTS BREAKDOWN | | | DRAWING NUMBER: 11458C00 | REV. 6 |