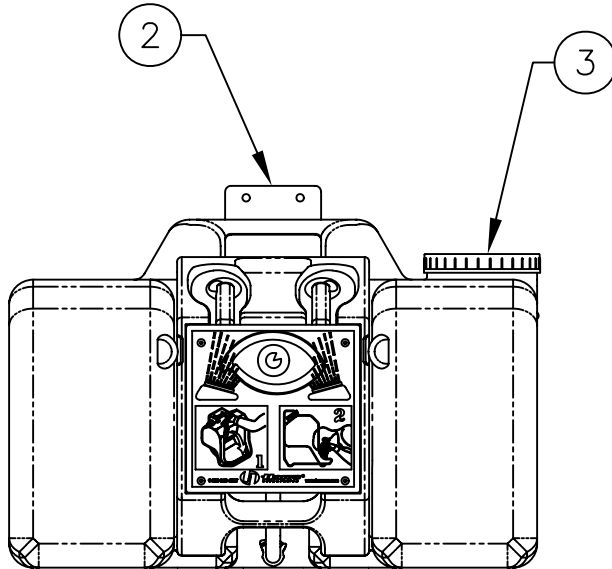
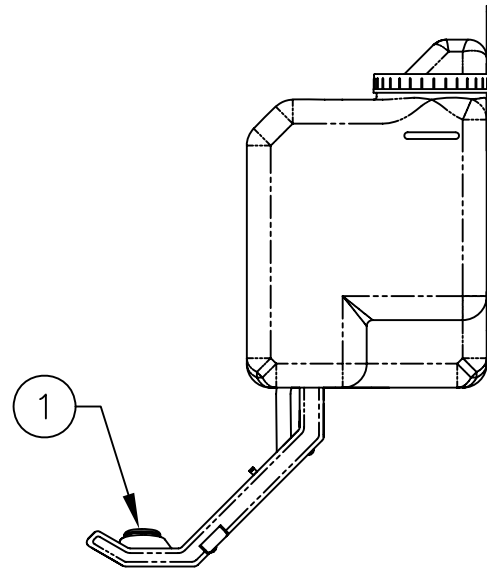


ITEM	DESCRIPTION
1	SP19 EYEWASH HEAD ASSY
2	BRACKET P/N: 0001217418
3	SP131 CAP
4	-
5	9082 BACTERIOSTATIC PRESERVATIVE

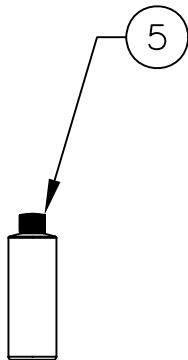
PARTS BREAKDOWN



STAND BY
"OFF"
POSITION



ACTIVE
"ON"
POSITION



**WHEN ORDERING
PARTS PLEASE
SPECIFY YOUR
MODEL NUMBER**



1455 KLEPPE LANE BACHWEG 3
SPARKS, NEVADA CH3401 BURGDORF
SWITZERLAND

DRAWN BY: RTM	DATE: 04/19/04	CHECK BY:	APP'D BY:	SCALE: 1/4
TITLE: 7501 PORTABLE GRAVITY EYEWASH			PART NUMBER: 0002080045	
DRAWING TYPE: PARTS BREAKDOWN			DRAWING NUMBER: 15154C00	REV. 3