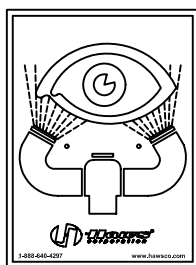


PARTS BREAKDOWN



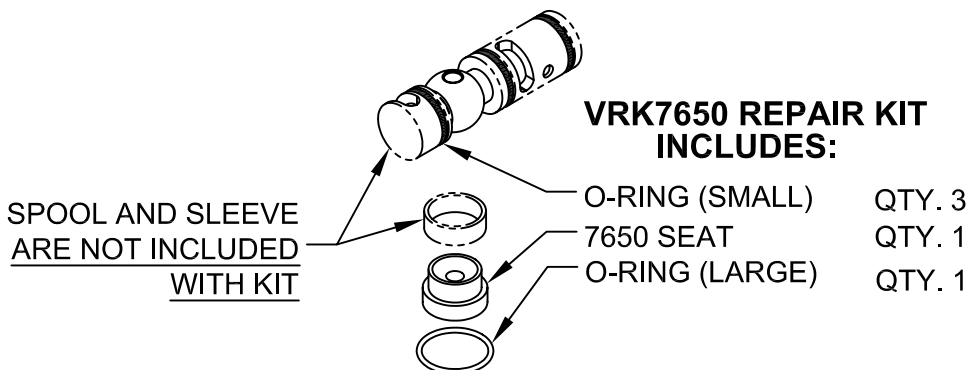
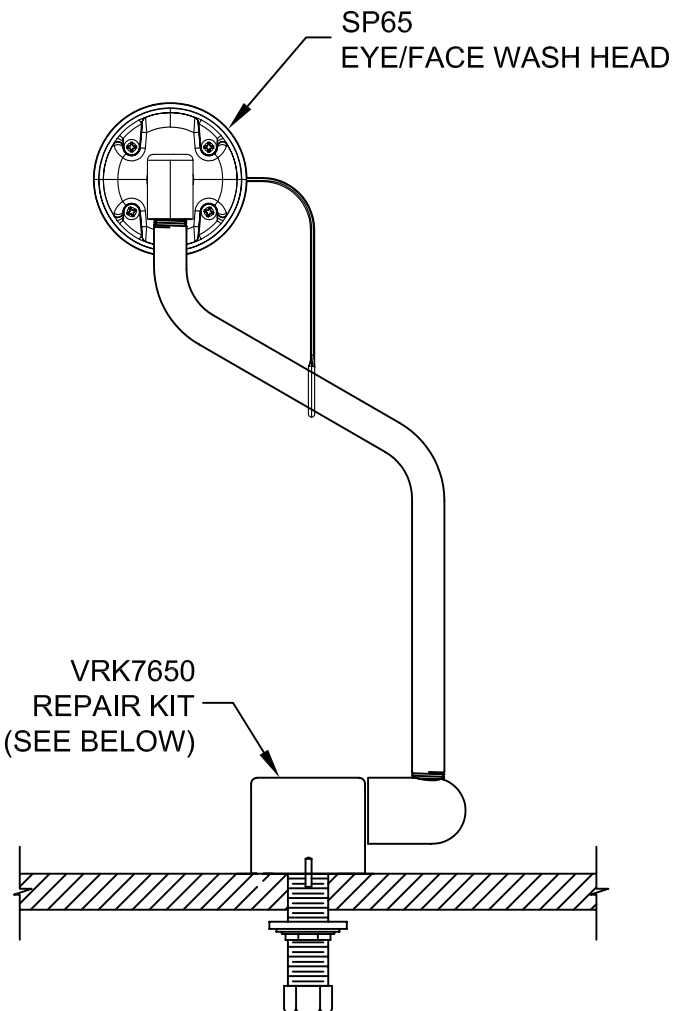
PULLDOWN EYE/FACE WASH LABEL
P/N 0003163821



SP175 EYEWASH SIGN



SP170 TEST TAG



10	UPDATED PER ECN	4367	12/2/09	IR
REV	DESCRIPTION	ECN	DATE	BY/APVD
REVISIONS				

WHEN ORDERING PARTS PLEASE SPECIFY YOUR MODEL NUMBER



1455 KLEPPE LANE
SPARKS, NEVADA 89431
(775) 359-4712 FAX (775) 359-7424
E-MAIL: HAWS@HAWS.CO.COM
WEBSITE: WWW.HAWS.CO.COM

DRAWN BY: STH	DATE: 10/29/96	CHECK BY:	APPVD BY:	SCALE: 1/2
TITLE: 7610 PULL DOWN EYE/FACE WASH			PART NUMBER: 0002080067	
DRAWING TYPE: PARTS BREAKDOWN			DRAWING NUMBER: 12689C00	REV: 10