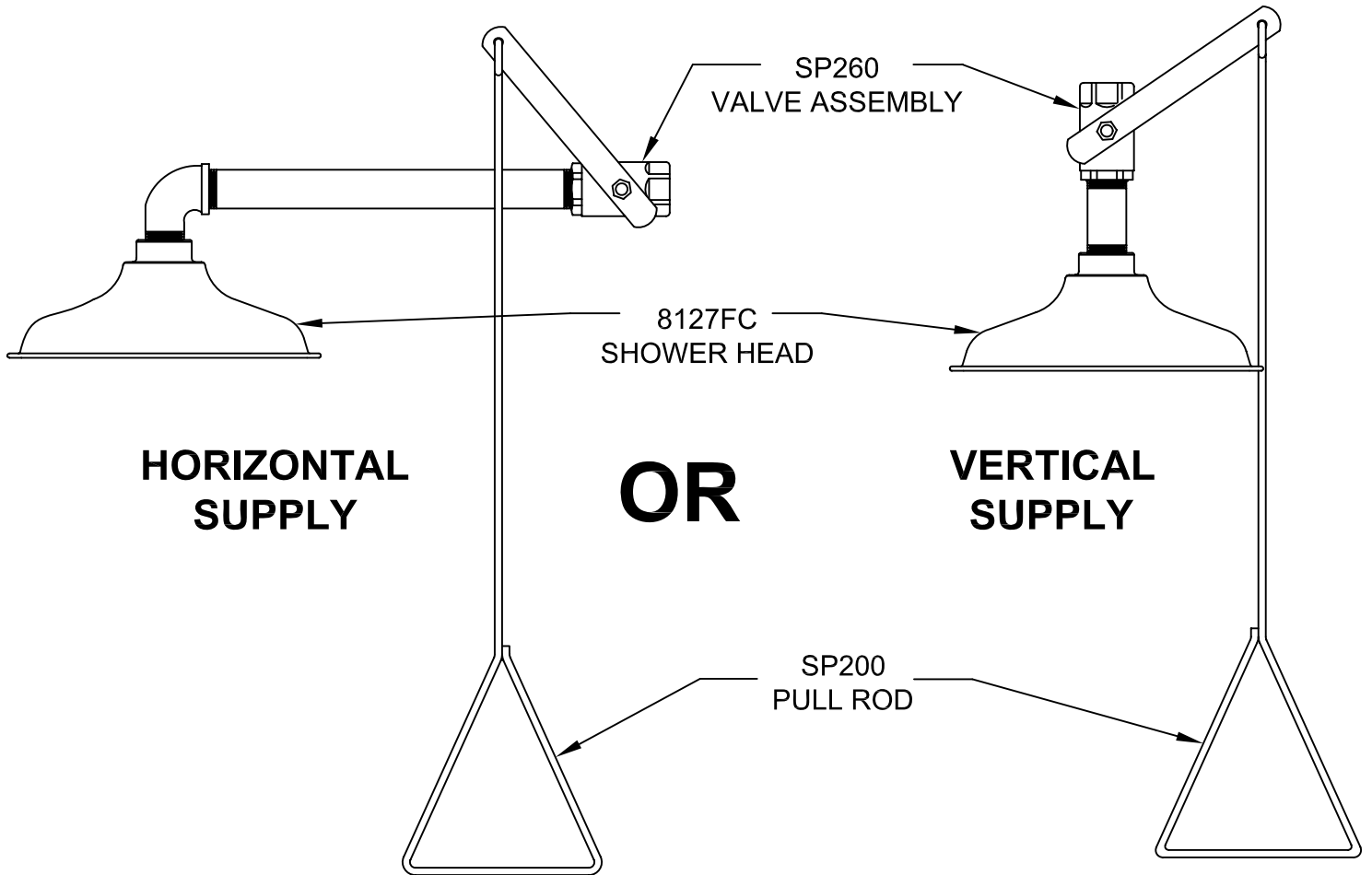
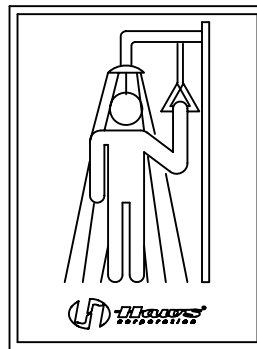


PARTS BREAKDOWN



SP170 TEST TAG



SP177 SHOWER SIGN

WHEN ORDERING PARTS PLEASE SPECIFY YOUR MODEL NUMBER			1455 KLEPPE LANE SPARKS, NEVADA	BACHWEG 3 CH3401 BURGENDORF SWITZERLAND
	DRAWN BY:	DATE: 03/08/93	CHECK BY:	SCALE: 1/3
	TITLE: MODEL 8123 EMERGENCY SHOWER			PART NUMBER: 0002080120
	DRAWING TYPE: PARTS BREAKDOWN			DRAWING NUMBER: 11475C00 REV. 11