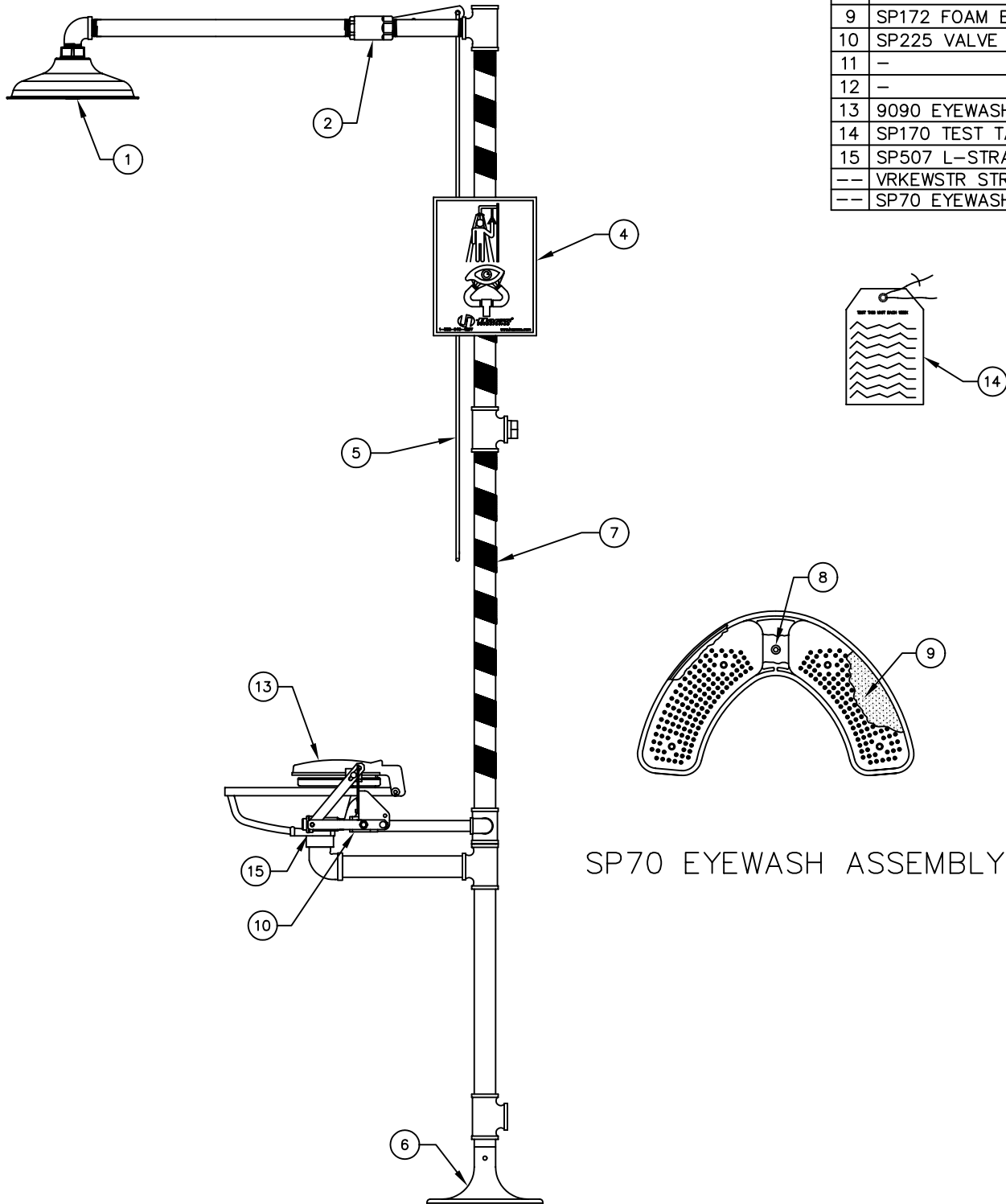


PARTS BREAKDOWN

ITEM	DESCRIPTION
1	SP829 SHOWER HEAD
2	SHOWER VALVE ASSEMBLY
3	-
4	SP178 SHOWER SIGN
5	SP202 PULL ROD
6	SP75 FLOOR FLANGE
7	SP185 STRIPE TAPE
8	SP42 FLOW CONTROL & WASH.
9	SP172 FOAM EYEWASH FILTERS
10	SP225 VALVE ASSEMBLY
11	-
12	-
13	9090 EYEWASH COVER
14	SP170 TEST TAG
15	SP507 L-STRAINER
--	VRKEWSTR STR. REPAIR KIT
--	SP70 EYEWASH ASSEMBLY



SP70 EYEWASH ASSEMBLY

REV	DESCRIPTION	ECN	DATE	BY/APVD
15	UPDATED PER ECN	4267	5/12/09	IR
REVISIONS				

WHEN ORDERING PARTS PLEASE SPECIFY YOUR MODEL NUMBER



1455 KLEPPE LANE
SPARKS, NEVADA 89431
(775) 359-4712 FAX (775) 359-7424
E-MAIL: HAWS@HAWS.CO.COM
WEBSITE: WWW.HAWS.CO.COM

DRAWN BY: CLF	DATE: 03/10/93	CHECK BY:	APPVD BY:	SCALE: 1/6
TITLE: 8200WC EYE/FACE WASH			PART NUMBER: 0002080146	
DRAWING TYPE: PARTS BREAKDOWN			DRAWING NUMBER: 11487C00	REV: 15