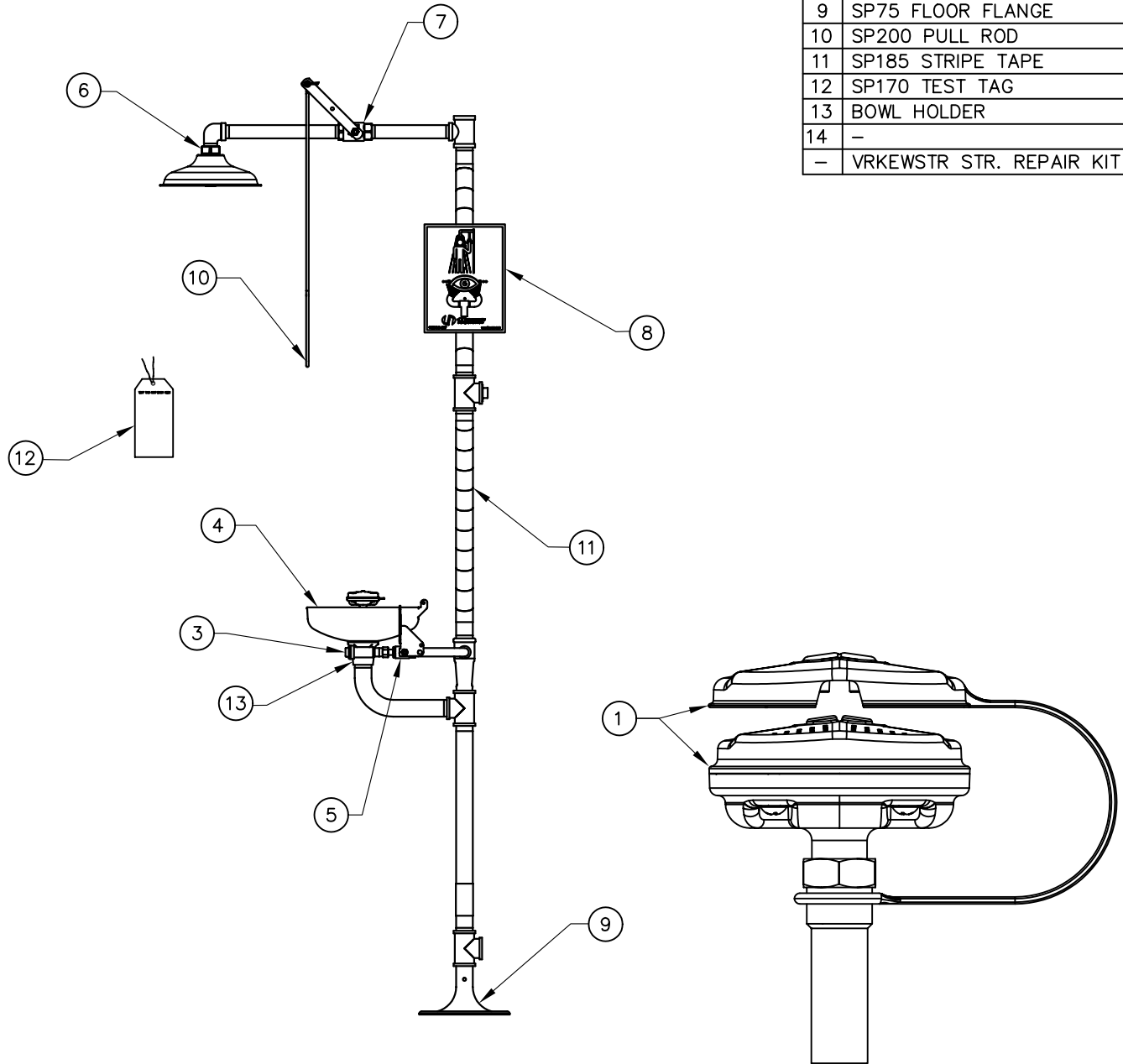


PARTS BREAKDOWN

ITEM	DESCRIPTION
1	SP65 EYE/FACE WASH ASSY
2	-
3	SP509 L-STRAINER
4	SP93 BOWL
5	SP225 VALVE ASSEMBLY
6	SP829 SHOWER HEAD
7	SHOWER VALVE ASSEMBLY
8	SP178 SHOWER SIGN
9	SP75 FLOOR FLANGE
10	SP200 PULL ROD
11	SP185 STRIPE TAPE
12	SP170 TEST TAG
13	BOWL HOLDER
14	-
-	VRKEWSTR STR. REPAIR KIT



SP65 EYE/FACE WASH ASSEMBLY

REV	DESCRIPTION	ECN	DATE	BY/APVD
16	UPDATED PER ECN	4267	5/12/09	IR

WHEN ORDERING PARTS PLEASE SPECIFY YOUR MODEL NUMBER



1455 KLEPPE LANE
SPARKS, NEVADA 89431
(775) 359-4712 FAX (775) 359-7424
E-MAIL: HAWS@HAWS.CO.COM
WEBSITE: WWW.HAWS.CO.COM

DRAWN BY: CLF	DATE: 03/12/93	CHECK BY:	APPVD BY:	SCALE: 1/2
TITLE: 8320/8320CRP/8325			PART NUMBER: 0002080170	
DRAWING TYPE: PARTS BREAKDOWN			DRAWING NUMBER: 11495C00	REV: 16