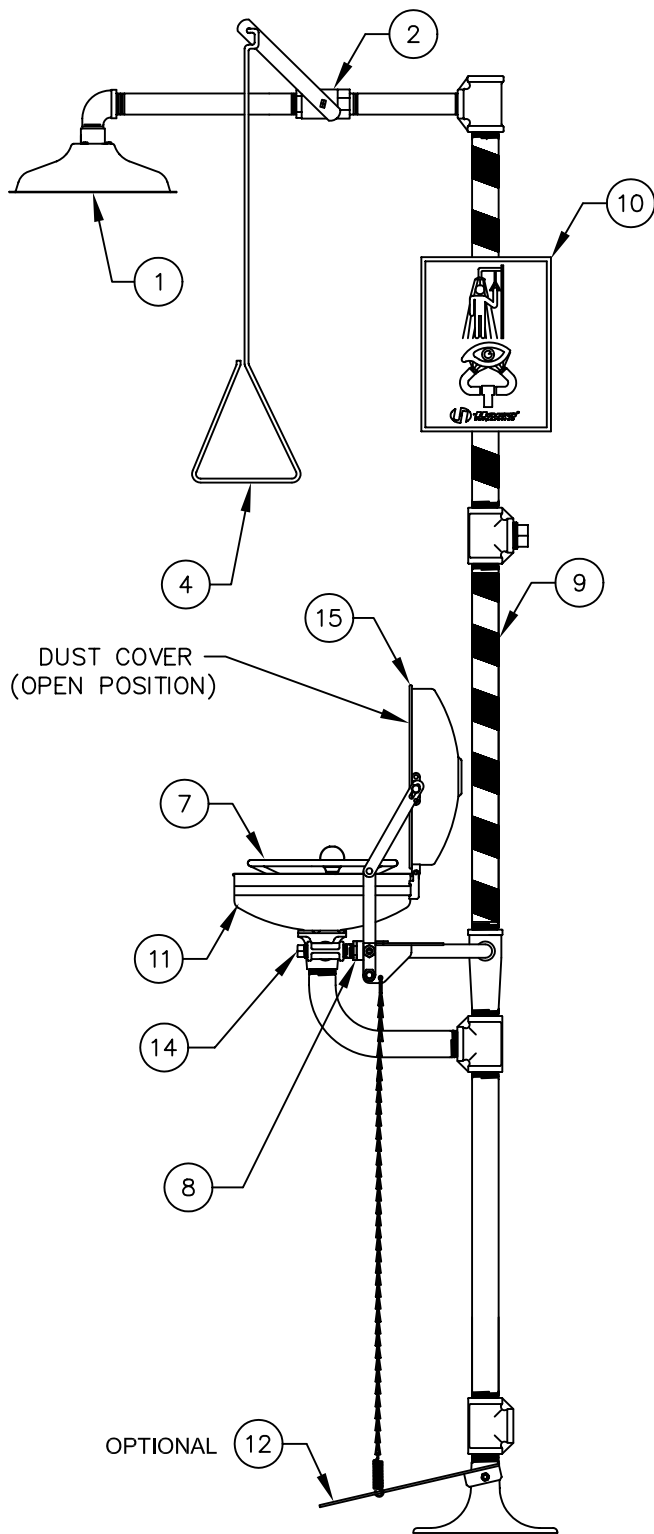
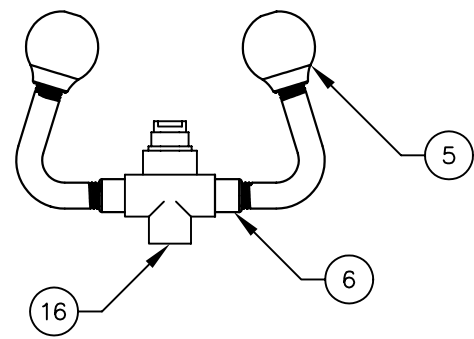
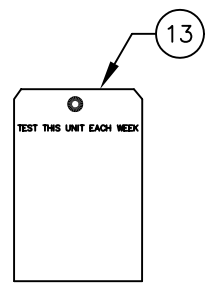


PARTS BREAKDOWN




ITEM	DESCRIPTION
1	8127FC SHOWER HEAD
2	SP265 VALVE ASSEMBLY
3	-
4	SP200 PULL ROD
5	SP18 EYEWASH HEADS
6	SP35SS FLOW CONTROL
7	SP30 SPRAY RING
8	SP228 VALVE ASSEMBLY
9	SP185 STRIPE TAPE
10	SP178 SHOWER SIGN
11	SP90 BOWL
OPTIONAL 12	SP220SS FOOT TREADLE
13	SP170 TEST TAG
14	SP509SS L-STRAINER
15	9102 DUST COVER ASSEMBLY
16	SP34SS TEE W/FLOW CONTROL



SS EYEWASH ASSY.

REV	DESCRIPTION	ECN	DATE	BY/APVD
19	UPDATED PER	4262	06/18/09	HM
REVISIONS				

WHEN ORDERING PARTS PLEASE SPECIFY YOUR MODEL NUMBER			1455 KLEPPE LANE SPARKS, NEVADA 89431 (775) 359-4712 FAX (775) 359-7424 E-MAIL: HAWS@HAWS.CO.COM WEBSITE: WWW.HAWS.CO.COM	
	DRAWN BY: C.JL	DATE: 05/01	CHECK BY:	APPVD BY:
TITLE: 8330 SS SHOWER EYE/FACEWASH			PART NUMBER: 0002080174	
DRAWING TYPE: PARTS BREAKDOWN			DRAWING NUMBER: 11499C00	REV: 19