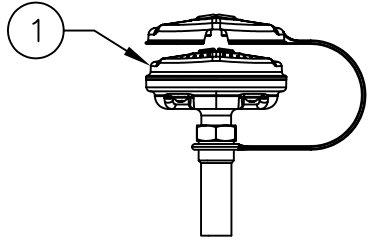
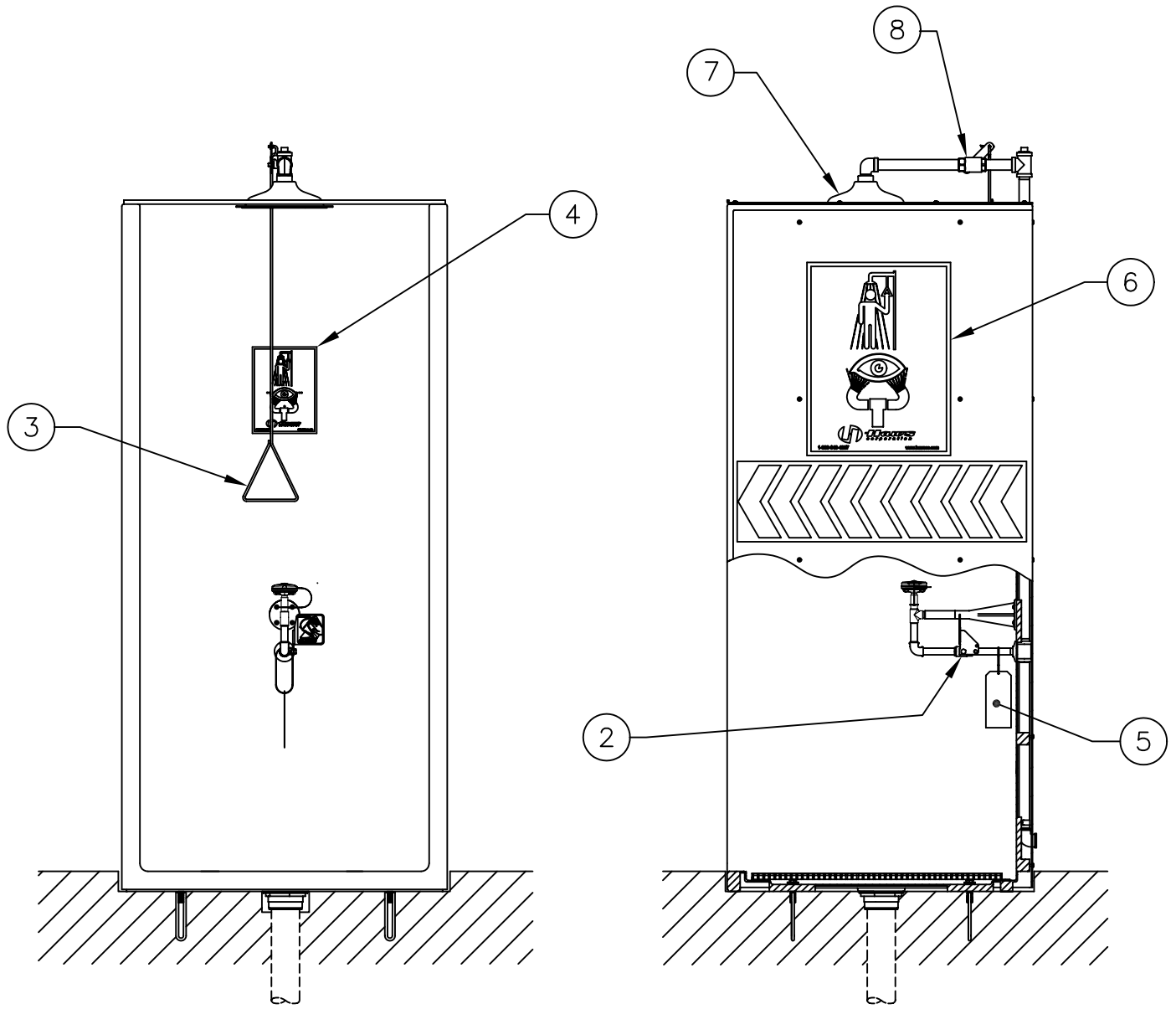



ITEM	DESCRIPTION
1	SP65 EYE/FACE WASH ASSEMBLY
2	SP229 VALVE ASSEMBLY
3	SP202 PULL ROD
4	SP178 SHOWER/EYEWASH SIGN
5	SP170 TEST TAG
6	SP178LG SHOWER/EYEWASH LABEL
7	SP829 SHOWER HEAD
8	SHOWER VALVE ASSEMBLY

PARTS BREAKDOWN



SP65 EYE/FACE WASH ASSEMBLY

WHEN ORDERING PARTS PLEASE SPECIFY YOUR MODEL NUMBER			1455 KLEPPE LANE BACHWEG 3 SPARKS, NEVADA CH3401 BURGDORF SWITZERLAND		
	DRAWN BY: RTM	DATE: 08/16/01	CHECK BY:	APP'D BY:	SCALE: 1/10
	TITLE: 8605WC EMERGENCY SHOWER			PART NUMBER: 0002080194	
DRAWING TYPE: PARTS BREAKDOWN			DRAWING NUMBER: 15124C00		REV: 7

REV	DESCRIPTION	ECN	DATE	BY/APVD
7	UPDATED PER ECN	4267	5/13/09	IR
REVISIONS				