

## PARTS LISTING EYE/FACE WASHES (4 GS PLUS SPRAY HEADS)

- (A) BOWLS
  - PLASTIC
    - 100-009ORG-R (ORANGE)
    - 100-009GRN-R (GREEN)
    - 100-009YEL-R (YELLOW)
  - STAINLESS STEEL
    - 100-008R
    - AP100-011A (FLANGED BOWL FOR DECK MOUNT)

- (B) DRAIN PLATE ASSEMBLIES
  - DRAIN PLATE, CUPPED WASHER, AND GASKET
    - AP150-012A (FOR PLASTIC BOWLS)
    - AP150-012B (FOR STAINLESS BOWLS)

- (C) WASTE RECEPTORS
  - 150-014E-2 (FOR WALL MOUNT UNITS)
  - 150-066-2 (FOR PEDESTAL UNITS)

- (D) BALL VALVE ASSEMBLIES
  - CHROME PLATED BRASS VALVES
    - AP600-101H/101V (1/2" IPS STAY-OPEN W/FLAG HANDLE)
    - AP600-101SC-H/V (1/2" IPS SELF-CLOSING)
  - CHROME PLATED BRASS VALVES FOR HAND/FOOT CONTROL
    - AP600-101H-HFC/101V-HFC (1/2" IPS STAY-OPEN W/FLAG HANDLE)
  - BRASS VALVES FOR PUSH DOWN CONTROL
    - AP600-104 (1/2" IPS STAY-OPEN)

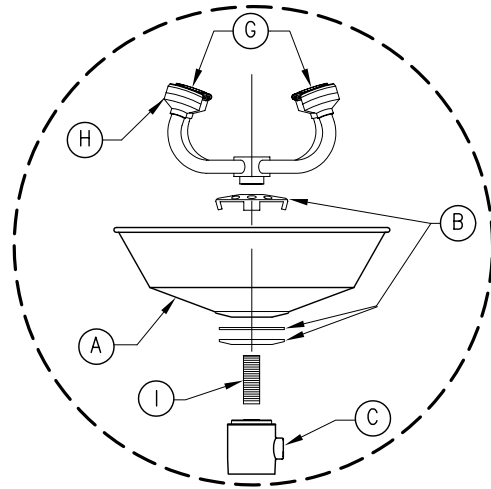
- (E) HAND AND FOOT CONTROL ASSEMBLIES
  - STN. FOOT TREADLE/RETURN SPRING W/ALUM. CLEVIS PIN
    - AP050-010
  - SASH CHAIN
    - AP050-011-028 (28" LONG W/S-HOOKS)

- (F) FLOOR FLANGE
  - CAST ALUMINUM
    - 150-032 (1-1/4" IPS THREAD)

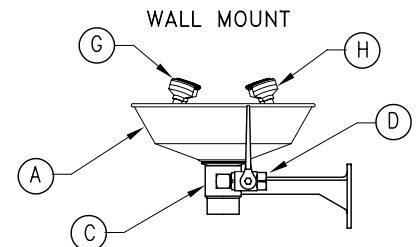
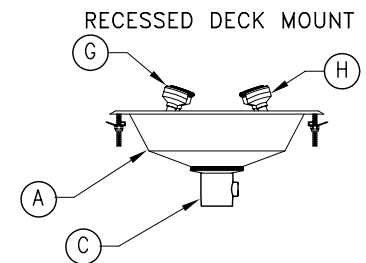
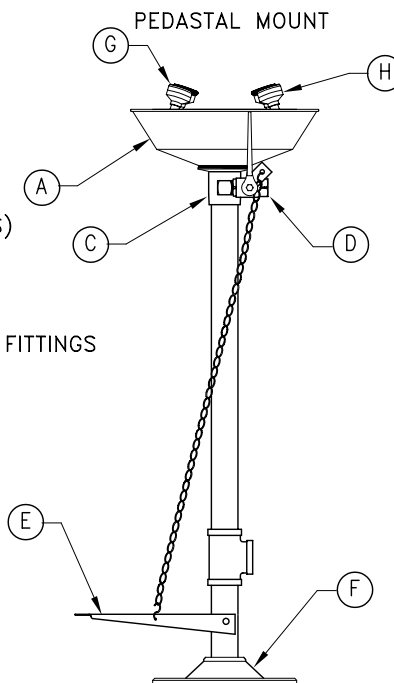
- (G) DUST COVER ASSEMBLIES
  - PLASTIC
    - AP470-002R (FOR GS PLUS SPRAY HEADS)
  - STAINLESS STEEL HINGED
    - AP470-040 (FOR GS PLUS SPRAY HEADS)

- (H) SPRAY HEAD ASSEMBLIES
  - PLASTIC HEADS W/CHROME PLATED BRASS FITTINGS
    - AP470-120R (4 GS PLUS SPRAY HEADS)

- (I) EYEWASH SHANK
  - 3/8" IPS X 2-1/4" BRASS SHANK
    - BI136-02-04

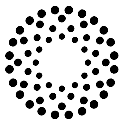


ASSEMBLY DETAIL



UNITS (EXCEPT THOSE WITH SELF-CLOSING VALVES) COMPLY WITH THE REQUIREMENTS OF ANSI Z358.1.

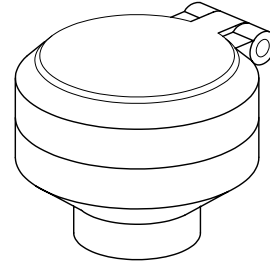
TEST ALL EMERGENCY EQUIPMENT AT LEAST WEEKLY.



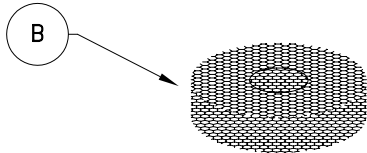
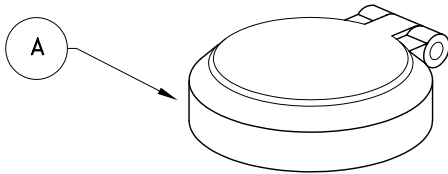
## SPRAY HEAD ASSEMBLY INSTRUCTIONS GS PLUS SPRAY HEADS

THIS GUARDIAN EQUIPMENT PRODUCT IS EQUIPPED WITH GS PLUS SPRAY HEADS. EACH HEAD FEATURES:

- TOUGH POLYPROPYLENE PLASTIC CONSTRUCTION
- HIGHLY VISIBLE INTEGRATED NYLON DUST COVER
- EASILY ACCESSIBLE 1.8 GPM FLOW CONTROL
- DENSE (60 PORE PER INCH) POLYURETHANE FILTER
- UNIQUE DESIGN PROVIDES A CONSISTENTLY SOFT, FULL SPRAY OF WATER ACROSS A RANGE OF WORKING PRESSURES FROM 20 TO 100 PSI.

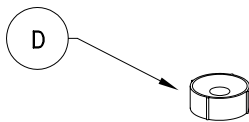
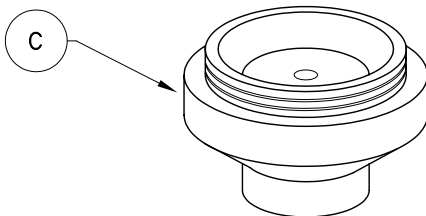


PART NUMBER:  
AP470-001



- (A) AP470-002R
- (B) 470-004R
- (C) 470-001R
- (D) 470-005R

- DUST COVER AND CAP ASSEMBLY
- 60 PPI POLYURETHANE FILTER
- PLASTIC BODY
- 1.8 GPM FLOW CONTROL



### IMPORTANT:

**IN ORDER TO OPERATE PROPERLY, THE FLOW CONTROL  
MUST BE INSERTED INTO THE BODY CONCAVE END FIRST**