

PARTS LISTING EYE/FACE WASHES (2 FS PLUS SPRAY HEADS)

- (A) BOWLS
 - PLASTIC
 - 100-009ORG-R (ORANGE)
 - 100-009GRN-R (GREEN)
 - 100-009YEL-R (YELLOW)
 - STAINLESS STEEL
 - 100-008R
 - AP100-011A (FLANGED BOWL FOR DECK MOUNT)

- (B) DRAIN PLATE ASSEMBLIES
 - DRAIN PLATE, CUPPED WASHER, AND GASKET
 - AP150-012A (FOR PLASTIC BOWLS)
 - AP150-012B (FOR STAINLESS BOWLS)

- (C) WASTE RECEPTORS
 - CAST ALUMINUM
 - 150-014E-2 (FOR WALL MOUNT UNITS)
 - 150-066-2 (FOR PEDESTAL UNITS)

- (D) BALL VALVE ASSEMBLIES
 - CHROME PLATED BRASS VALVES
 - AP600-101H/101V (1/2"IPS STAY-OPEN W/FLAG HANDLE)
 - AP600-101SC-H/V (1/2" IPS SELF-CLOSING)
 - CHROME PLATED BRASS VALVES FOR HAND/FOOT CONTROL
 - AP600-101H-HFC/101V-HFC (1/2"IPS STAY-OPEN W/FLAG HANDLE)
 - BRASS VALVES FOR PUSH DOWN CONTROL
 - AP600-104 (1/2"IPS STAY-OPEN)

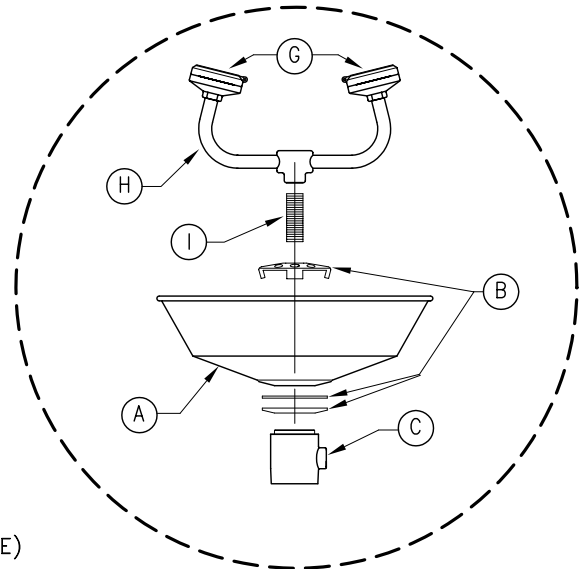
- (E) HAND AND FOOT CONTROL ASSEMBLIES
 - STN. FOOT TREADLE/RETURN SPRING W/ALUM. CLEVIS PIN
 - AP050-010
 - SASH CHAIN
 - AP050-011-028 (28" LONG W/S-HOOKS)

- (F) FLOOR FLANGE
 - CAST ALUMINUM
 - 150-032 (1-1/4" IPS THREAD)

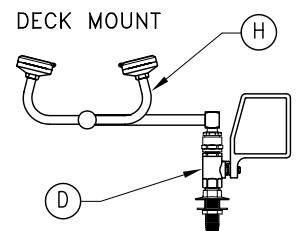
- (G) DUST COVER ASSEMBLIES
 - PLASTIC
 - AP470-022R (FOR FS PLUS SPRAY HEADS)
 - STAINLESS STEEL HINGED
 - AP470-045 (FOR FS PLUS SPRAY HEADS)

- (H) OUTLET HEAD ASSEMBLIES
 - PLASTIC HEADS W/CHROME PLATED BRASS FITTINGS
 - AP470-110R (2 FS PLUS SPRAY HEADS)

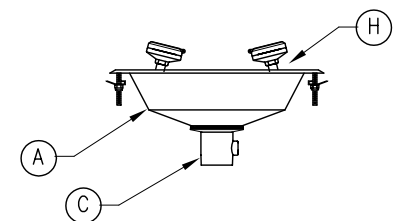
- (I) EYEWASH SHANK
 - 3/8" IPS X 2-1/4" BRASS SHANK
 - BI136-02-04



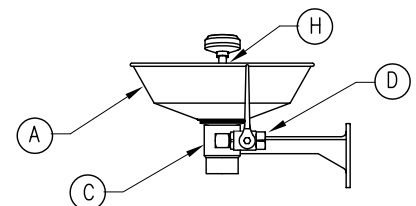
ASSEMBLY DETAIL



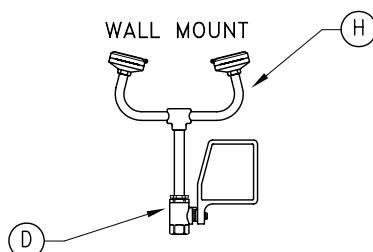
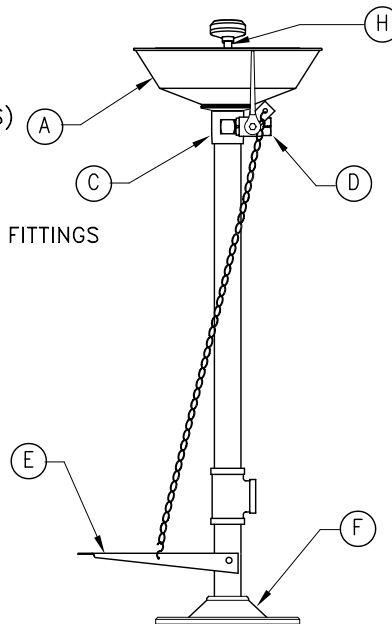
RECESSED DECK MOUNT



WALL MOUNT

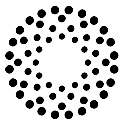


PEDESTAL MOUNT



UNITS (EXCEPT THOSE WITH SELF-CLOSING VALVES) COMPLY WITH THE REQUIREMENTS OF ANSI Z358.1.

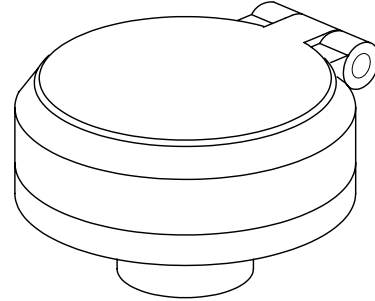
TEST ALL EMERGENCY EQUIPMENT AT LEAST WEEKLY.



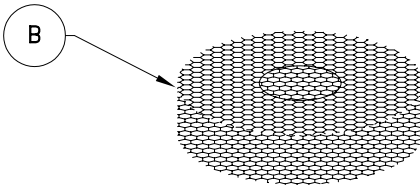
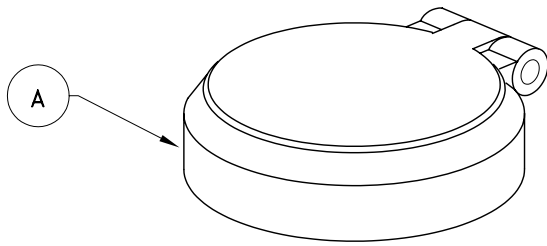
SPRAY HEAD ASSEMBLY INSTRUCTIONS FS PLUS SPRAY HEAD

THIS GUARDIAN EQUIPMENT PRODUCT IS EQUIPPED WITH FS PLUS SPRAY HEADS. EACH HEAD FEATURES:

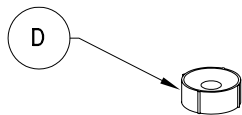
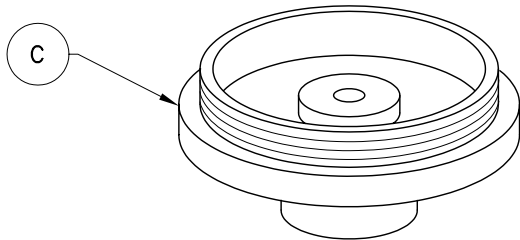
- TOUGH POLYPROPYLENE PLASTIC CONSTRUCTION
- HIGHLY VISIBLE INTEGRATED NYLON DUST COVER
- EASILY ACCESSIBLE 3.2 GPM FLOW CONTROL
- DENSE (60 PORE PER INCH) POLYURETHANE FILTER
- UNIQUE DESIGN PROVIDES A CONSISTENTLY SOFT, FULL SPRAY OF WATER ACROSS A RANGE OF WORKING PRESSURES FROM 30 TO 100 PSI.



PART NUMBER:
AP470-021



- | | | |
|-----|------------|-----------------------------|
| (A) | AP470-022R | DUST COVER AND CAP ASSEMBLY |
| (B) | 470-024R | 60 PPI POLYURETHANE FILTER |
| (C) | 470-021R | PLASTIC BODY |
| (D) | 470-025R | 3.2 GPM FLOW CONTROL |



IMPORTANT:

**IN ORDER TO OPERATE PROPERLY, THE FLOW CONTROL
MUST BE INSERTED INTO THE BODY CONCAVE END FIRST**