

Guardian

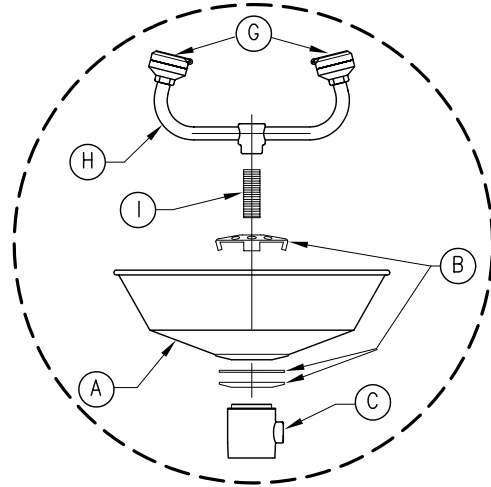
EMERGENCY EYEWASH & SHOWER TECHNOLOGY

Guardian Equipment
1140 N North Branch St
Chicago, IL 60642

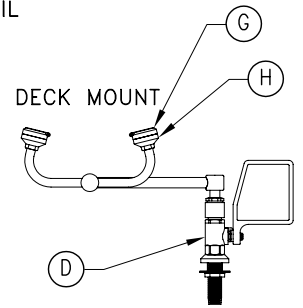
312 447 8100 TELEPHONE
312 447 8101 FACSIMILE
gesafety.com

PARTS LISTING EYE WASHES (2 GS PLUS SPRAY HEADS)

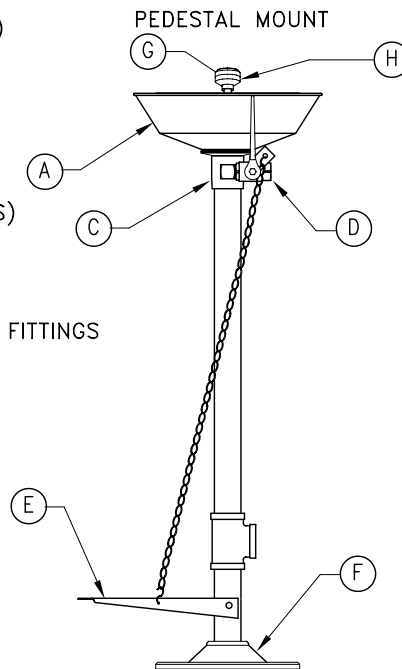
- (A) BOWLS
 - PLASTIC
 - 100-009ORG-R (ORANGE)
 - 100-009GRN-R (GREEN)
 - 100-009YEL-R (YELLOW)
 - STAINLESS STEEL
 - 100-008R
 - AP100-011A (FLANGED BOWL FOR DECK MOUNT)
- (B) DRAIN PLATE ASSEMBLIES
 - DRAIN PLATE, CUPPED WASHER, AND GASKET
 - AP150-012A (FOR PLASTIC BOWLS)
 - AP150-012B (FOR STAINLESS BOWLS)
- (C) WASTE RECEPTORS
 - CAST ALUMINUM
 - 150-014E-2 (FOR WALL MOUNT UNITS)
 - 150-066-2 (FOR PEDESTAL UNITS)
- (D) BALL VALVE ASSEMBLIES
 - CHROME PLATED BRASS VALVES
 - AP600-101H/101V (1/2"IPS STAY-OPEN W/FLAG HANDLE)
 - AP600-101SC-H/V (1/2" IPS SELF-CLOSING)
 - CHROME PLATED BRASS VALVES FOR HAND/FOOT CONTROL
 - AP600-101H-HFC/101V-HFC (1/2"IPS STAY-OPEN W/FLAG HANDLE)
 - BRASS VALVES FOR PUSH DOWN CONTROL
 - AP600-104 (1/2"IPS STAY-OPEN)
- (E) HAND AND FOOT CONTROL ASSEMBLIES
 - STN. FOOT TREADLE/RETURN SPRING W/ALUM. CLEVIS PIN
 - AP050-010
 - SASH CHAIN
 - AP050-011-028 (28" LONG W/S-HOOKS)
- (F) FLOOR FLANGE
 - CAST ALUMINUM
 - 150-032 (1-1/4" IPS THREAD)
- (G) DUST COVER ASSEMBLIES
 - PLASTIC
 - AP470-002R (FOR GS PLUS SPRAY HEADS)
 - STAINLESS STEEL HINGED
 - AP470-040 (GS PLUS SPRAY HEADS)
- (H) OUTLET HEAD ASSEMBLIES
 - PLASTIC HEADS W/CHROME PLATED BRASS FITTINGS
 - AP470-100R (2 GS PLUS SPRAY HEADS)
- (I) EYEWASH SHANK
 - 3/8" IPS X 2-1/4" BRASS SHANK
 - BI136-02-04



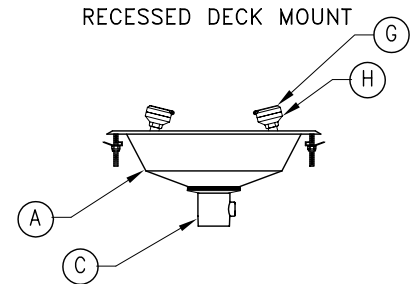
ASSEMBLY DETAIL



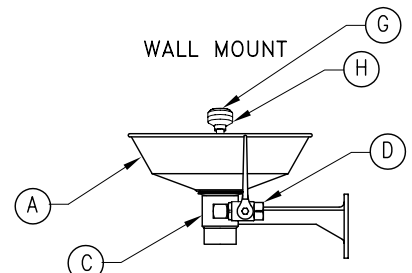
DECK MOUNT



PEDESTAL MOUNT



RECESSED DECK MOUNT



WALL MOUNT

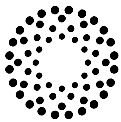
UNITS (EXCEPT THOSE WITH SELF-CLOSING VALVES) COMPLY WITH THE REQUIREMENTS OF ANSI Z358.1.

TEST ALL EMERGENCY EQUIPMENT AT LEAST WEEKLY.

Drawing Number: PL-EW

Approved: _____

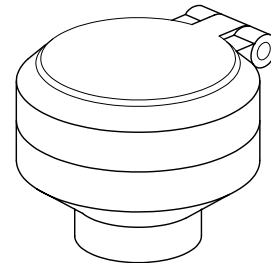
Revision Number: 050908-JPP



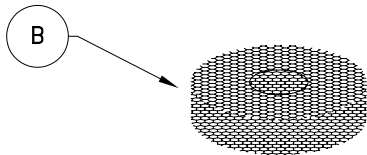
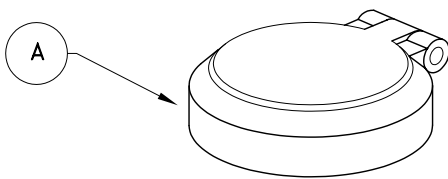
SPRAY HEAD ASSEMBLY INSTRUCTIONS GS PLUS SPRAY HEADS

THIS GUARDIAN EQUIPMENT PRODUCT IS EQUIPPED WITH GS PLUS SPRAY HEADS. EACH HEAD FEATURES:

- TOUGH POLYPROPYLENE PLASTIC CONSTRUCTION
- HIGHLY VISIBLE INTEGRATED NYLON DUST COVER
- EASILY ACCESSIBLE 1.8 GPM FLOW CONTROL
- DENSE (60 PORE PER INCH) POLYURETHANE FILTER
- UNIQUE DESIGN PROVIDES A CONSISTENTLY SOFT, FULL SPRAY OF WATER ACROSS A RANGE OF WORKING PRESSURES FROM 20 TO 100 PSI.

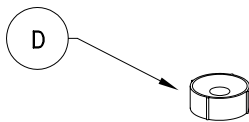
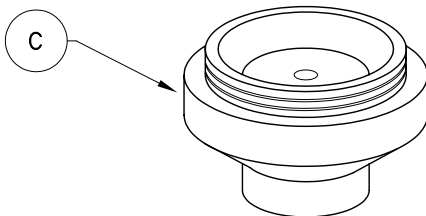


PART NUMBER:
AP470-001



- (A) AP470-002R
- (B) 470-004R
- (C) 470-001R
- (D) 470-005R

- DUST COVER AND CAP ASSEMBLY
- 60 PPI POLYURETHANE FILTER
- PLASTIC BODY
- 1.8 GPM FLOW CONTROL



IMPORTANT:

**IN ORDER TO OPERATE PROPERLY, THE FLOW CONTROL
MUST BE INSERTED INTO THE BODY CONCAVE END FIRST**