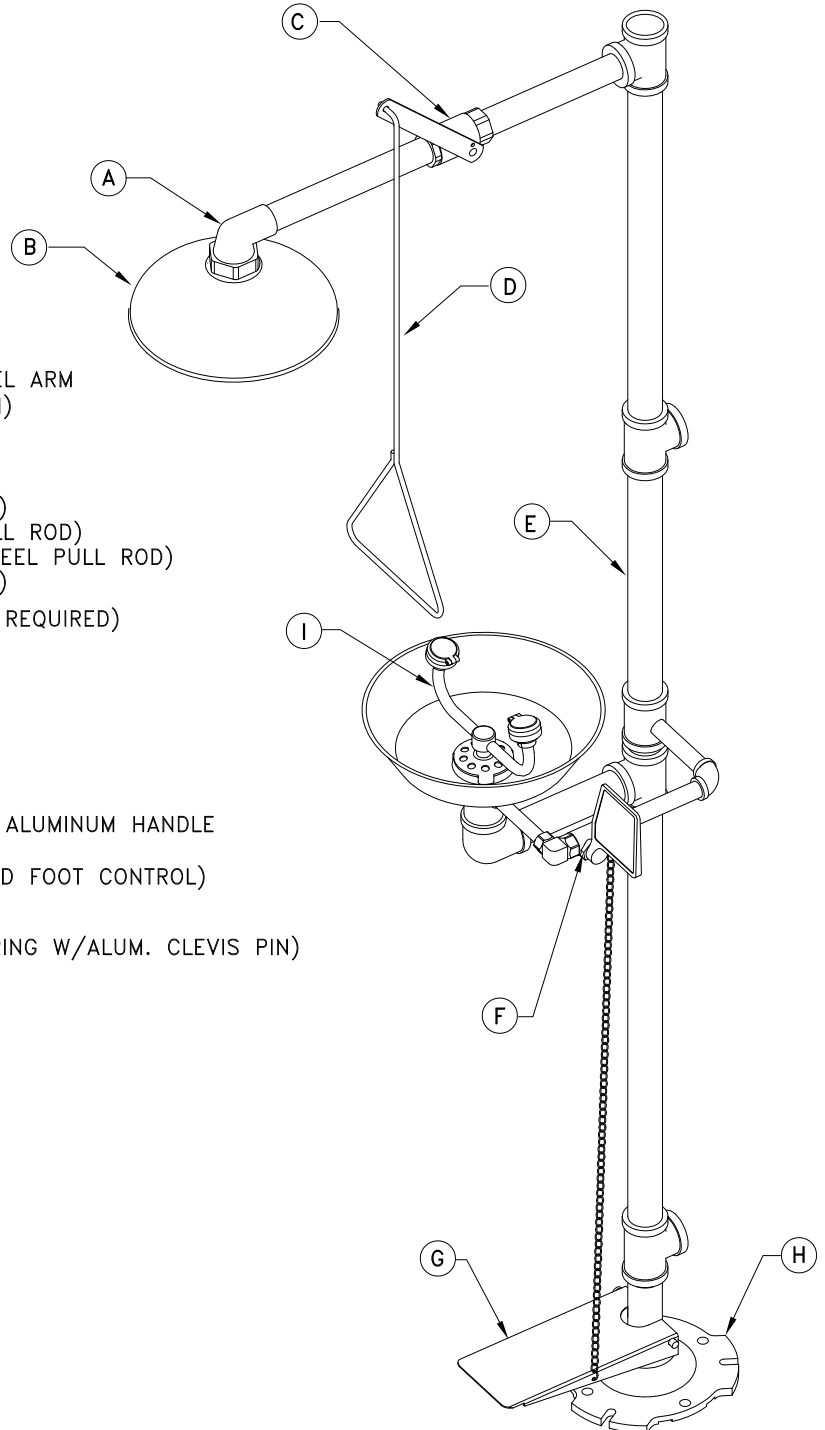


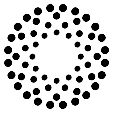
PARTS LISTING SAFETY STATIONS

- (A) SHOWER HEAD ELBOWS
 - PLASTIC
 - 330-12-08RSE-OR (ORANGE)
 - 330-12-08RSE-GR (GREEN)
 - 330-12-08RSE-YE (YELLOW)
 - GALVANIZED
 - 300-08SE
- (B) SHOWER HEADS
 - PLASTIC
 - AP450-032ORG (ORANGE)
 - AP450-032GRN (GREEN)
 - AP450-032YEL (YELLOW)
 - STAINLESS STEEL
 - AP450-048 (10" DIA.)
- (C) SHOWER VALVE/ACTUATING ARM ASSEMBLIES
 - CHROME PLATED BRASS VALVE/STAINLESS STEEL ARM
 - AP600-335H (STAY-OPEN, SINGLE ACTIVATION)
 - AP600-345H (SELF-CLOSING)
- (D) SHOWER ACTUATING COMPONENTS
 - AP050-079 (29" STAINLESS STEEL PULL ROD)
 - AP050-080A (47-1/2" STAINLESS STEEL PULL ROD)
 - AP050-081 (EXTENDED LENGTH STAINLESS STEEL PULL ROD)
 - AP050-078 (48" SASH CHAIN W/PIPE CLAMP)
- (E) PIPE PACK (INCLUDES ALL MAJOR PIPE LENGTHS REQUIRED)
 - GALVANIZED
 - AP500-100 (FOR UNITS WITH BOWL)
 - AP500-110 (FOR UNITS W/O BOWL)
 - ORANGE PIPE COVERS
 - AP530-100
- (F) BALL VALVE ASSEMBLY
 - CHROME PLATED BRASS WITH POWDER COATED ALUMINUM HANDLE
 - AP600-101H
 - AP600-101H-HFC (FOR UNITS WITH HAND AND FOOT CONTROL)
- (G) HAND AND FOOT CONTROL ASSEMBLIES
 - AP050-010 (STN. FOOT TREADLE/RETURN SPRING W/ALUM. CLEVIS PIN)
 - AP050-011-028 (28" LONG SASH CHAIN)
- (H) FLOOR FLANGE
 - CAST ALUMINUM
 - 150-032 (1-1/4" IPS THREAD)
- (I) EYE WASH AND EYE/FACE WASH (SEE PAGE 2)



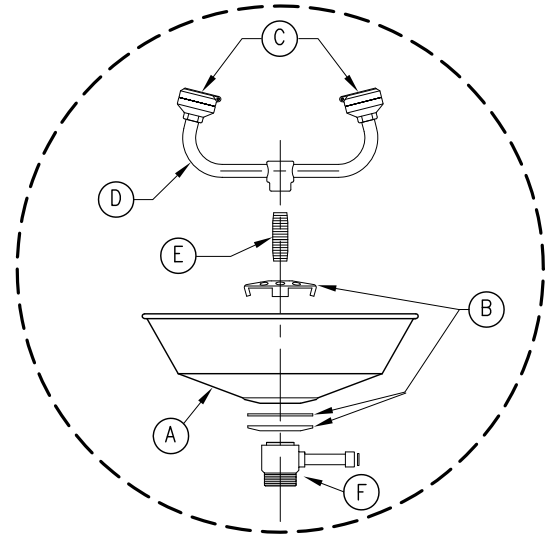
UNITS (EXCEPT THOSE WITH SELF-CLOSING VALVES) COMPLY WITH THE REQUIREMENTS OF ANSI Z358.1.

TEST ALL EMERGENCY EQUIPMENT AT LEAST WEEKLY.

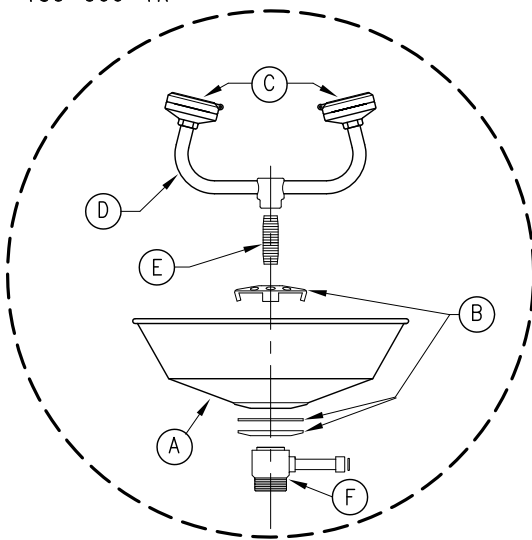


PARTS LISTING SAFETY STATIONS (EYE AND EYE/FACE WASHES)

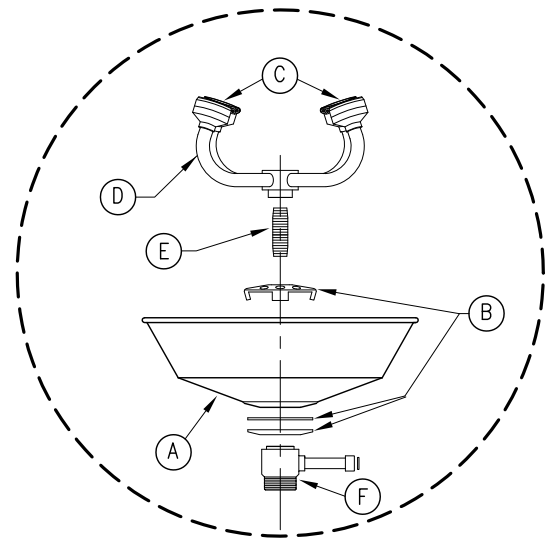
- (A) BOWLS
 - PLASTIC
 - 100-009ORG-R (ORANGE)
 - 100-009GRN-R (GREEN)
 - 100-009YEL-R (YELLOW)
 - STAINLESS STEEL
 - 100-008R
- (B) DRAIN PLATE ASSEMBLIES
 - DRAIN PLATE, CUPPED WASHER, AND GASKET
 - AP150-012A (FOR PLASTIC BOWLS)
 - AP150-012B (FOR STAINLESS BOWLS)
- (C) DUST COVER ASSEMBLIES
 - PLASTIC
 - AP470-002R (FOR GS PLUS SPRAY HEADS)
 - AP470-022R (FOR FS PLUS SPRAY HEADS)
 - STAINLESS STEEL HINGED
 - AP470-040 (FOR GS PLUS SPRAY HEADS)
 - AP470-045 (FOR FS PLUS SPRAY HEADS)
- (D) SPRAY HEAD ASSEMBLIES
 - PLASTIC HEADS W/CHROME PLATED BRASS FITTINGS
 - AP470-100R (2 GS PLUS SPRAY HEADS)
 - AP470-110R (2 FS PLUS SPRAY HEADS)
 - AP470-120R (4 GS PLUS SPRAY HEADS)
- (E) EYEWASH SHANK
 - 3/8" IPS X 2-1/4" BRASS SHANK
 - BI136-02-04
- (F) WASTE RECEPTOR INCLUDING FLARED NIPPLE, COUPLING NUT AND GASKET
 - 1-1/2" IPS MALE OUTLET
 - 150-066-1R



ASSEMBLY DETAIL
EYE WASH
(2 GS PLUS SPRAY HEADS)



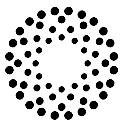
ASSEMBLY DETAIL
EYE/FACE WASH
(2 FS PLUS SPRAY HEADS)



ASSEMBLY DETAIL
EYE/FACE WASH
(4 GS PLUS SPRAY HEADS)

UNITS (EXCEPT THOSE WITH SELF-CLOSING VALVES) COMPLY WITH THE REQUIREMENTS OF ANSI Z358.1.

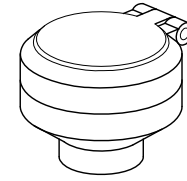
TEST ALL EMERGENCY EQUIPMENT AT LEAST WEEKLY.



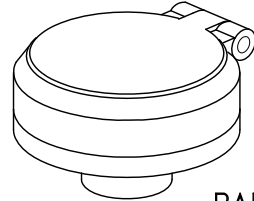
SPRAY HEAD ASSEMBLY INSTRUCTIONS GS PLUS AND FS PLUS SPRAY HEAD

EACH GS PLUS AND FS PLUS SPRAY HEAD FEATURES:

- TOUGH POLYPROPYLENE PLASTIC CONSTRUCTION
- HIGHLY VISIBLE INTEGRATED NYLON DUST COVER
- EASILY ACCESSIBLE 1.8 GPM(GS) OR 3.2 GPM(FS) FLOW CONTROL
- DENSE (60 PORE PER INCH) POLYURETHANE FILTER
- UNIQUE DESIGN PROVIDES A CONSISTENTLY SOFT, FULL SPRAY ACROSS A RANGE OF WORKING PRESSURES FROM 30 TO 100 PSI.



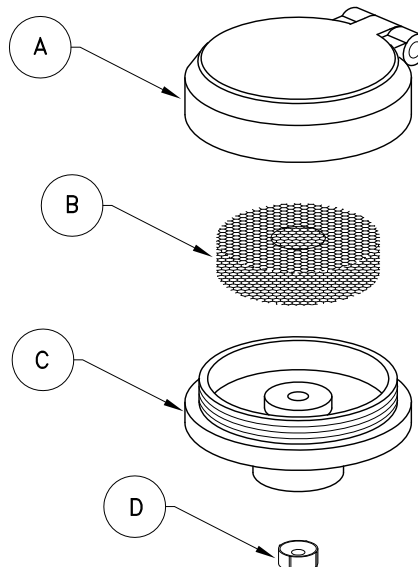
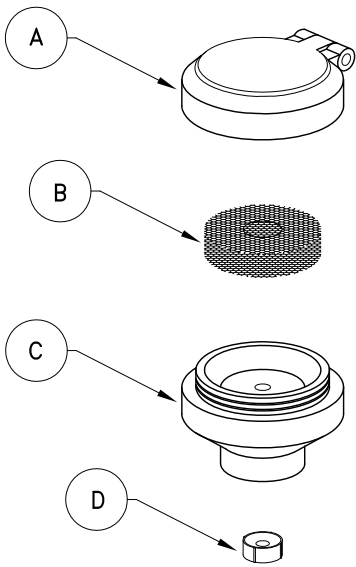
PART NUMBER:
AP470-001



PART NUMBER:
AP470-021

GS PLUS SPRAY HEAD

FS PLUS SPRAY HEAD



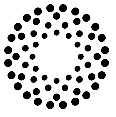
ITEM:	GS PLUS:
A	AP470-002R
B	470-004R
C	470-001R
D	470-005R

ITEM:	FS PLUS:
A	AP470-022R
B	470-024R
C	470-021R
D	470-025R

DESCRIPTION:
DUST COVER AND CAP ASSEMBLY
60 PPI POLYURETHANE FILTER
PLASTIC BODY
1.8/3.2 GPM FLOW CONTROL

IMPORTANT:

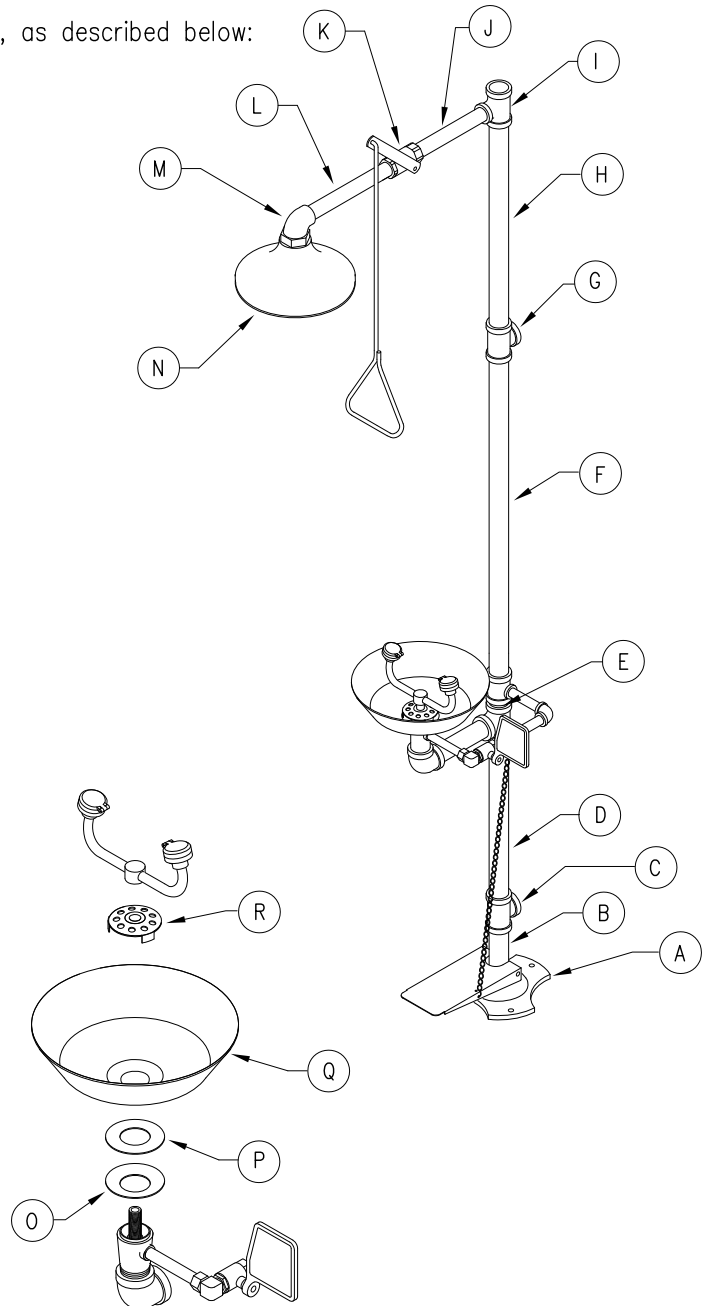
**IN ORDER TO OPERATE PROPERLY, THE FLOW CONTROL
MUST BE INSERTED INTO THE BODY CONCAVE END FIRST**



ASSEMBLY INSTRUCTIONS SAFETY STATIONS

Safety stations are designed for easy assembly in the field. Essentially, these units are assembled from the "bottom up", as described below:

1. Assemble floor flange (A), 1-1/4" IPS x 5-3/4" nipple (B), and plugged outlet tee (C). If unit has a foot treadle, the floor flange and treadle are pre-assembled. Position foot treadle for proper access by users, and tee for connection to drain.
- IMPORTANT:** Plugged tee (C) must be oriented with plugged end down to assure proper drainage.
2. Assemble 1-1/4" IPS x 17-3/4" nipple (D) and frame assembly (E). Position frame assembly for proper access by users.
3. Assemble 1-1/4" IPS x 32" nipple (F) and inlet tee (G). Position tee for connection to supply. If the top vertical inlet will be employed, plug tee with supplied 1-1/4" IPS square head plug.
4. Assemble 1-1/4" IPS x 22" nipple (H) and 1-1/4" x 1" IPS reducing inlet tee (I). Position tee forward for proper location of shower. If the back horizontal inlet will be employed, plug tee with supplied 1-1/4" IPS square head plug.
5. Assemble 1" IPS x 8-7/8" nipple (J), emergency shower valve (K), 1" IPS x 10-1/2" nipple (L), elbow (M), and shower head (N).
6. Place cupped, stainless steel washer (O), rubber gasket (P), and bowl (Q) onto waste receptor. Center components to assure a watertight seal.
7. Thread drain plate (R) down onto mounting shank as far as possible. If necessary, rotate bowl clockwise to draw drain plate down onto mounting shank.
8. Thread eye or eye/face wash spray head assembly onto mounting shank. Position outlet heads for proper access by user.
9. Secure entire unit to floor and/or wall for stability.
10. If unit has foot treadle, connect foot treadle chain to valve/handle assembly.
11. Attach orange plastic pipe wrap.



NOTES:

1. All threads are tapered pipe and require pipe joint compound or Teflon tape to assure watertight connection.
2. If unit is furnished with corrosion-resistant powder coating, care must be taken to avoid damaging finish during assembly. For best results, a strap wrench should be used.
3. Test the entire unit for proper operation.
4. The use of dielectric unions is required when connecting to copper supply to avoid premature corrosion.

UNITS (EXCEPT THOSE WITH SELF-CLOSING VALVES) COMPLY WITH THE REQUIREMENTS OF ANSI Z358.1.

TEST ALL EMERGENCY EQUIPMENT AT LEAST WEEKLY.