



T&S BRASS AND BRONZE WORKS, INC.

2 Saddleback Cove / P.O. Box 1088
Travelers Rest, SC 29690



REG. #A2601
ISO #9001

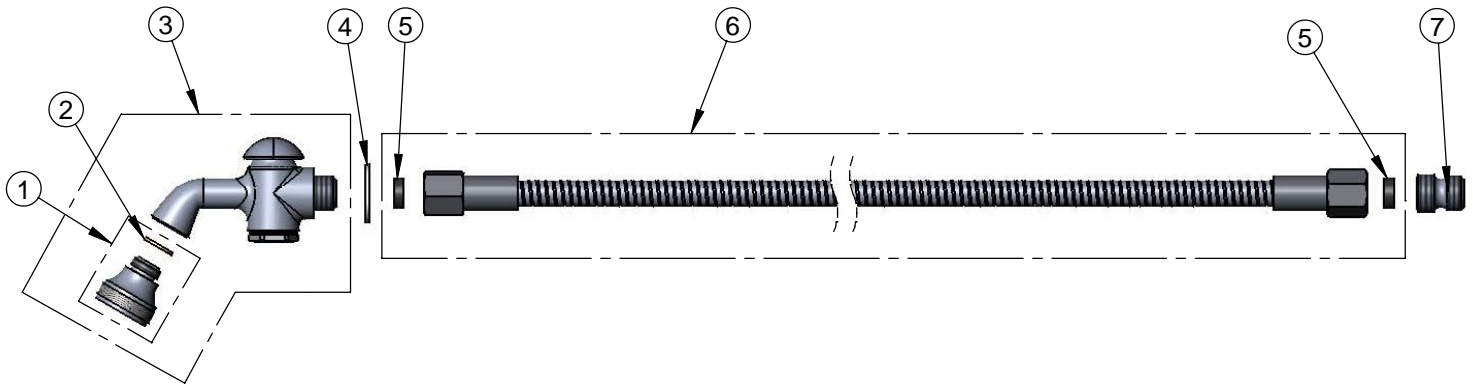
Model No.

B-0101

Item No.

Travelers Rest, SC: 800-476-4103 Simi Valley, CA: 800-423-0150 Fax: 864-834-3518 www.tsbrass.com

ITEM NO.	SALES NO.	DESCRIPTION
1	B-0103	Spray Head Assembly
2	001043-45	Washer
3	002857-40	Spray Valve Assembly w/ Rosespray Outlet
4	001010-40	Washer, Stainless Steel
5	010476-45	#27 Washer
6	013E-36H	Flex Stainless Steel Hose, 36"
7	055A	Adapter, 1/2 NPT Male



Product Specifications:

**Spray Valve w/ Rosespray Outlet & 36" Flexible
Stainless Steel Hose Assembly**

Drawn

DHL

Checked

DMH

Approved

JHB

Scale:

NTS

Date:

10/16/08