



T&S BRASS AND BRONZE WORKS, INC.

2 Saddleback Cove / P.O. Box 1088
Travelers Rest, SC 29690



REG. #A2601
ISO #9001

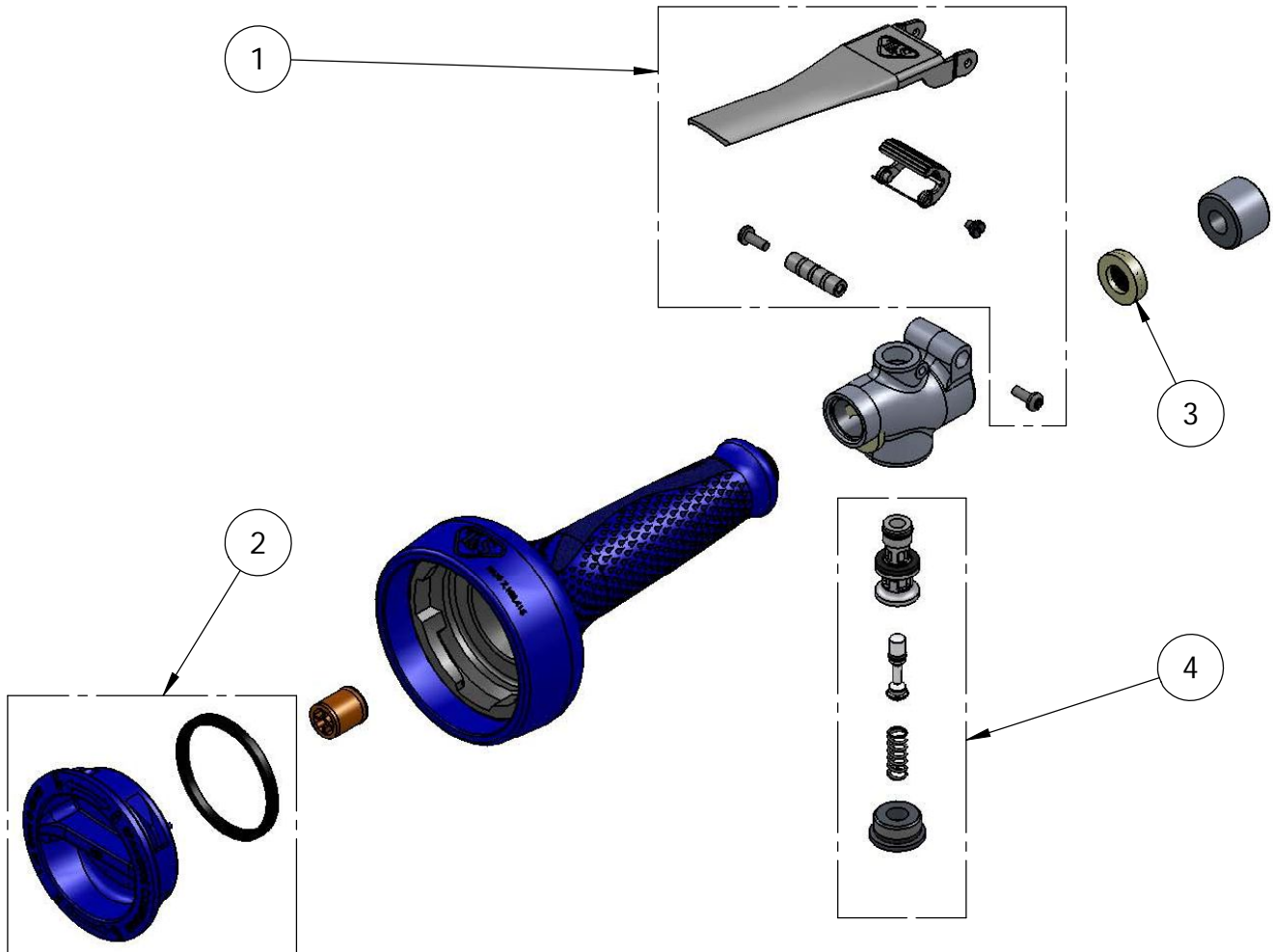
Model No.

B-0108

Item No.

Simi Valley, CA: 800-423-0150 Fax: 864-834-3518 www.tsbrass.com

ITEM NO.	SALES NO.	DESCRIPTION
1	108T-RK	Trigger Repair Kit
2	108SF-RK	Spray Face Repair Kit
3	108S-RK	Inlet Screen/Washer Repair Kit
4	108V-RK	Valve Repair Kit



Note:
Individual Items in Repair Kits
are not Sold Separately

Product Specifications:
1.48 GPM Spray Valve w/ Ergo-Grip,
Replaceable Spray Face, &
Integrated One-Handed Trigger Lock

Drawn JRM	Checked KJG	Approved JHB
Scale: NTS		Date: 12/15/09