



# T&S BRASS AND BRONZE WORKS, INC.

2 Saddleback Cove / P.O. Box 1088  
Travelers Rest, SC 29690

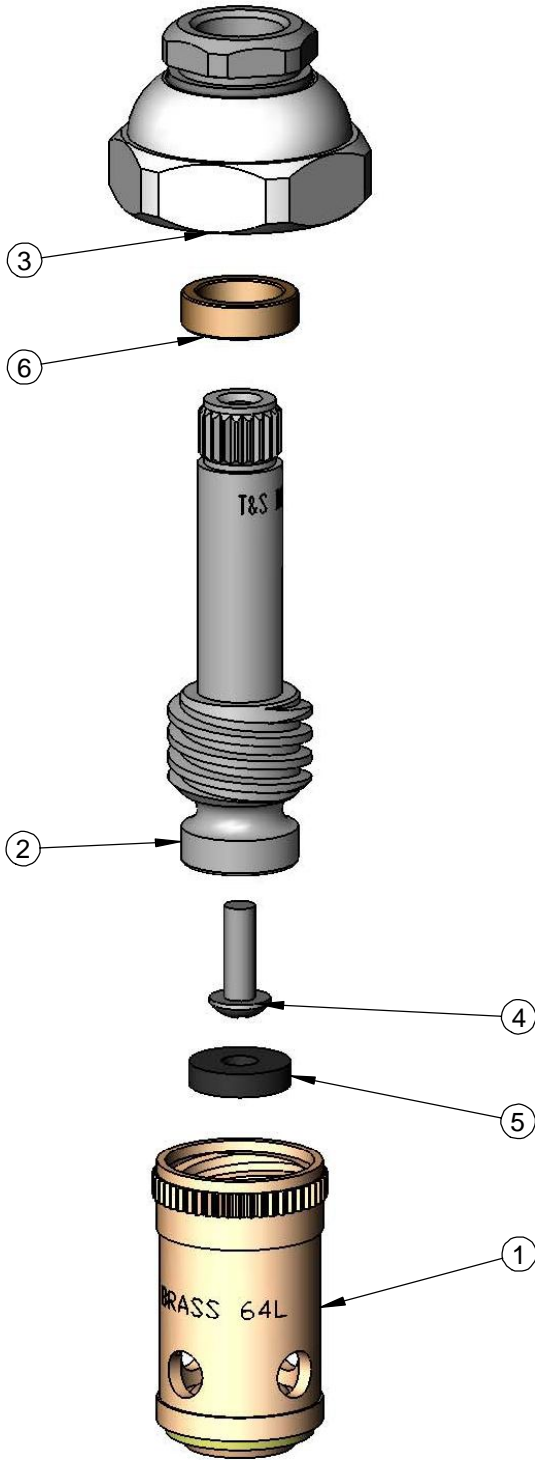


REG. #A2601  
ISO #9001

Model No.  
**007947-40**

Item No.

Travelers Rest, SC: 800-476-4103 Simi Valley, CA: 800-423-0150 Fax: 864-834-3518 www.tsbrass.com



ITEM NO.	SALES NO.	DESCRIPTION
1	006659-40	Eterna Cartridge
2	000811-25	Spindle
3	006557-40	Bonnet Asm
4	000933-45	Seat Washer Screw
5	001092-45	Seat Washer
6	001466-20	1/4 Turn Sleeve

Product Specifications:

Cartridge Assembly w/ 1/4 Turn Sleeve

Drawn

WJS

Checked

Approved

Scale:

1:1

Date: