



T&S BRASS AND BRONZE WORKS, INC.

2 Saddleback Cove / P.O. Box 1088
Travelers Rest, SC 29690



REG. #A2601
ISO #9001

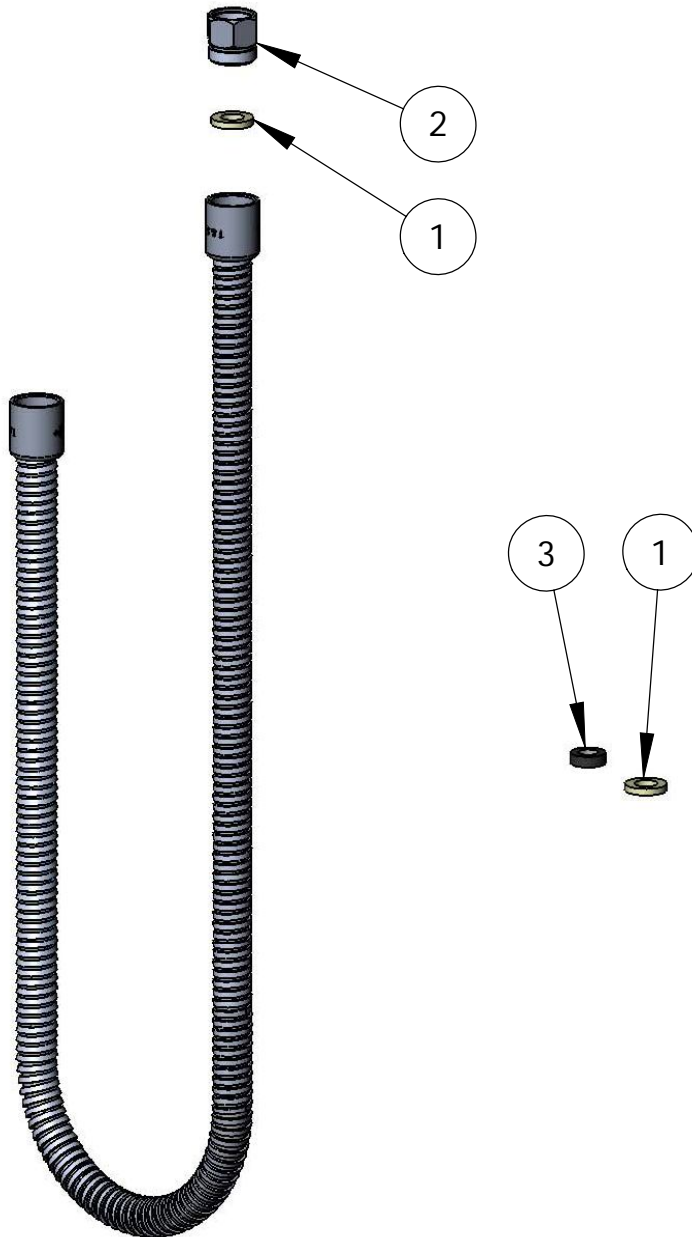
Model No.

B-0044-H2A

Item No.

Travelers Rest, SC: 800-476-4103 Simi Valley, CA: 800-423-0150 Fax: 864-834-3518 www.tsbrass.com

ITEM NO.	SALES NO.	DESCRIPTION
1	001014-45	Washer, B-0100 Hose Barrel
2	000729-40	Nut
3	010476-45	#27 Washer



Product Specifications:
**44" Flexible Stainless Steel Hose Assembly
Less Handle**

Drawn KJG	Checked DHL	Approved JHB
Scale: NTS		Date: 03/31/09