



T&S BRASS AND BRONZE WORKS, INC.

2 Saddleback Cove / P.O. Box 1088
Travelers Rest, SC 29690



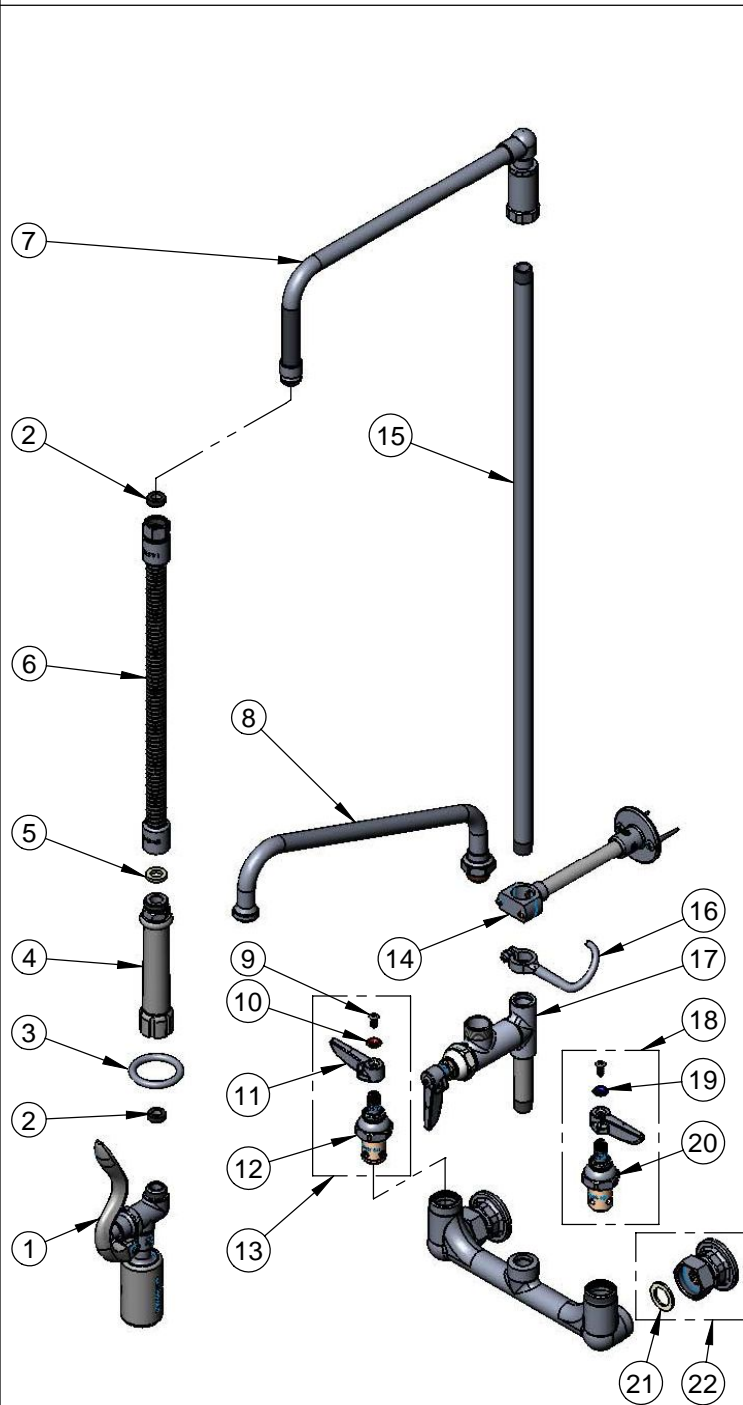
REG. #A2601
ISO #9001

Model No.

B-0131-ADF12-BC

Item No.

Travelers Rest, SC: 800-476-4103 Simi Valley, CA: 800-423-0150 Fax: 864-834-3518 www.tsbrass.com



ITEM NO.	SALES NO.	DESCRIPTION
1	B-0107-C	Low-Flow Spray Valve Asm
2	010476-45	#27 Washer
3	000907-45	Spray Valve Hold Down Ring
4	002987-40	Handle Grip
5	001014-45	Washer, B-0100 Hose Barrel
6	B-0020-H2A	20" Flex SS Hose Less Handle
7	002882-40	L-Tube Assembly, 12"
8	062X	12" Swing Nozzle w/ B-PT Stream Regulator
9	000922-45	Lever Handle Screw
10	001661-45	Red Index-HW
11	001638-45	Lever Handle
12	012443-40	Hot Eterna Spindle Assembly w/ Spring Check
13	002712-40	Eterna Cartridge (HW) w/ Spring Checks, Lever Handle, Color Coded Index & Screw
14	B-0109-01	6" Wall Bracket Assembly
15	000373-40	3/8" NPT, 26" Length Riser
16	004R	Finger Hook Assembly
17	B-0155-LN	Add-on Faucet w/ 1/4 Turn Eterna Cartridge Less Nozzle
18	002711-40	Eterna Cartridge (CW) w/ Spring Checks, Lever Handle, Color Coded Index & Screw
19	001660-45	Blue Index-CW
20	012442-40	Cold Eterna Spindle Assembly w/ Spring Check
21	001019-45	Coupling Nut Washer
22	00AA	Flange Assembly

Product Specifications:

8" Wall Mount Pre-Rinse Unit w/ B-0107-C Low Flow Spray Valve, 6" Wall Bracket, Add-on Faucet w/ 12" Swing Nozzle & 1/2" NPT Female Inlets

Drawn DHL	Checked ARH	Approved JHB
Scale: NTS		Date: 04/30/09