



T&S BRASS AND BRONZE WORKS, INC.

2 Saddleback Cove / P.O. Box 1088
Travelers Rest, SC 29690



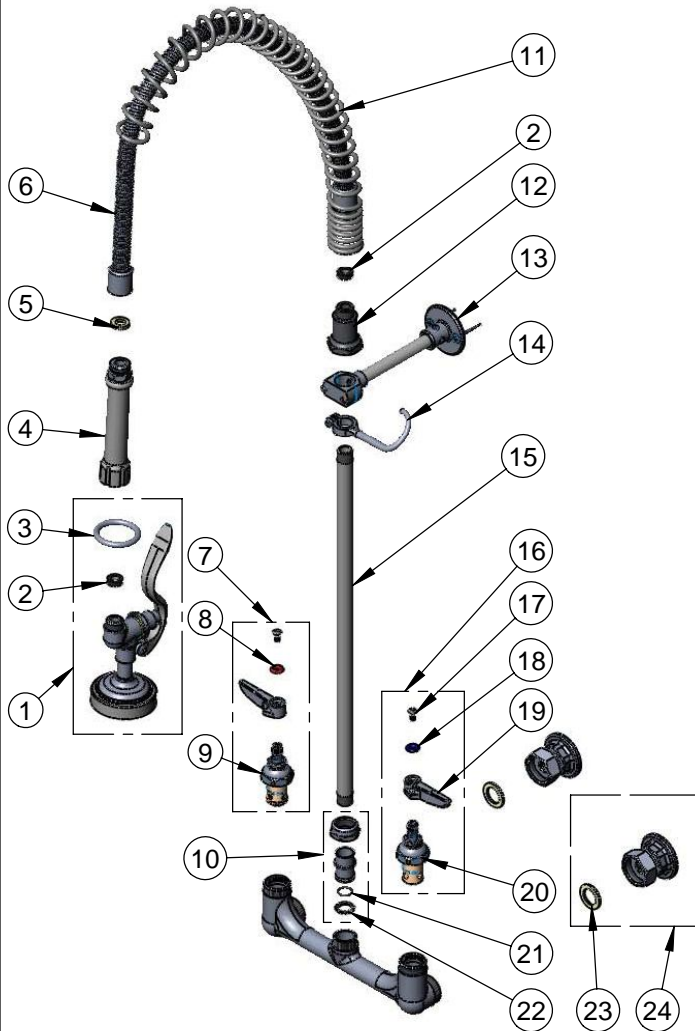
REG. #A2601
ISO #9001

Model No.

B-0133-B

Item No.

Travelers Rest, SC: 800-476-4103 Simi Valley, CA: 800-423-0150 Fax: 864-834-3518 www.tsbrass.com



ITEM NO.	SALES NO.	DESCRIPTION
1	B-0107	Spray Valve Asm
2	010476-45	#27 Washer
3	000907-45	Spray Valve Hold Down Ring
4	002987-40	Grip Handle Assembly
5	001014-45	Washer, B-0100 Hose Barrel
6	B-0044-H2A	44" Flex Hose Assembly, Less Handle
7	002712-40	Hot Eterna Spindle Assembly w/ Spring Check, Handle, Index & Screw
8	001661-45	Red Index-HW
9	012443-40	Hot Eterna Spindle Assembly w/ Spring Check
10	EZ-K	EasyInstall Kit: Bushing, O-Ring, Lock Washer & Loctite 222
11	000888-45	EasyInstall Overhead Spring
12	000821-40	Spring Body
13	B-0109-01	6" Wall Bracket Assembly
14	004R	Finger Hook Assembly
15	000369-40	3/8" NPT x 18" Long Riser
16	002711-40	Cold Eterna Spindle Assembly w/ Spring Check, Handle, Index & Screw
17	000922-45	Lever Handle Screw
18	001660-45	Blue Index-CW
19	001638-45	Lever Handle
20	012442-40	Cold Eterna Spindle Assembly w/ Spring Check
21	001065-45	O-Ring
22	014200-45	Star Washer, Anti-Rotation
23	001019-45	Coupling Nut Washer
24	00AA	Flange Assembly

Product Specifications:

EasyInstall Pre-Rinse Unit:
8" c/c Wall Mount Mixing Faucet, 1/2" NPT Female Inlets,
18" Riser, Overhead Spring, 44" Flex Hose, B-0107 Spray Valve
& Bracket

Drawn KJG	Checked DHL	Approved JHB
Scale: NTS		Date: 10/22/08