



T&S BRASS AND BRONZE WORKS, INC.
 2 Saddleback Cove / P.O. Box 1088
 Travelers Rest, SC 29690



REG. #A2601
 ISO #9001

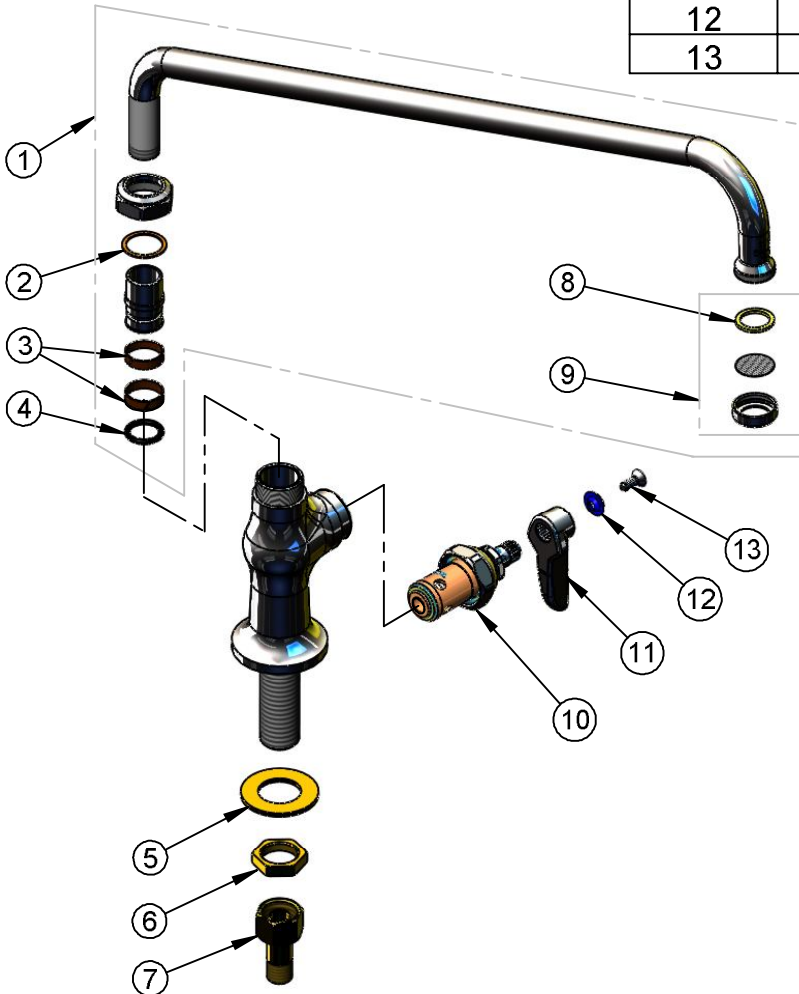
Model No.

B-0205

Item No.

Travelers Rest, SC: 800-476-4103 Simi Valley, CA: 800-423-0150 Fax: 864-834-3518 www.tsbrass.com

ITEM NO.	SALES NO.	DESCRIPTION
1	065X	18" Swing Nozzle Assembly
2	009538-45	Swivel Washer
3	011429-45	Swivel Sleeves (2)
4	001074-45	O-Ring
5	000999-45	Brass Lock Washer
6	002954-45	Shank Lock Nut
7	150A	Bag of (1) Nut & (1) Tailpiece
8	009638-45	Washer
9	B-PT	Stream Regulator Assembly
10	005960-40	Spindle Asm, Eterna "Hot"
11	001638-45	Lever Handle
12	001660-45	Blue Index-CW
13	000922-45	Lever Handle Screw



Product Specifications:

Single Pantry Faucet w/ 18" Swing Nozzle, Lever Handle, B-PT Stream Regulator Outlet & Tailpiece

Drawn KJG	Checked DHL	Approved JHB
Scale: NTS		Date: 3/20/08