



T&S BRASS AND BRONZE WORKS, INC.

2 Saddleback Cove / P.O. Box 1088
Travelers Rest, SC 29690



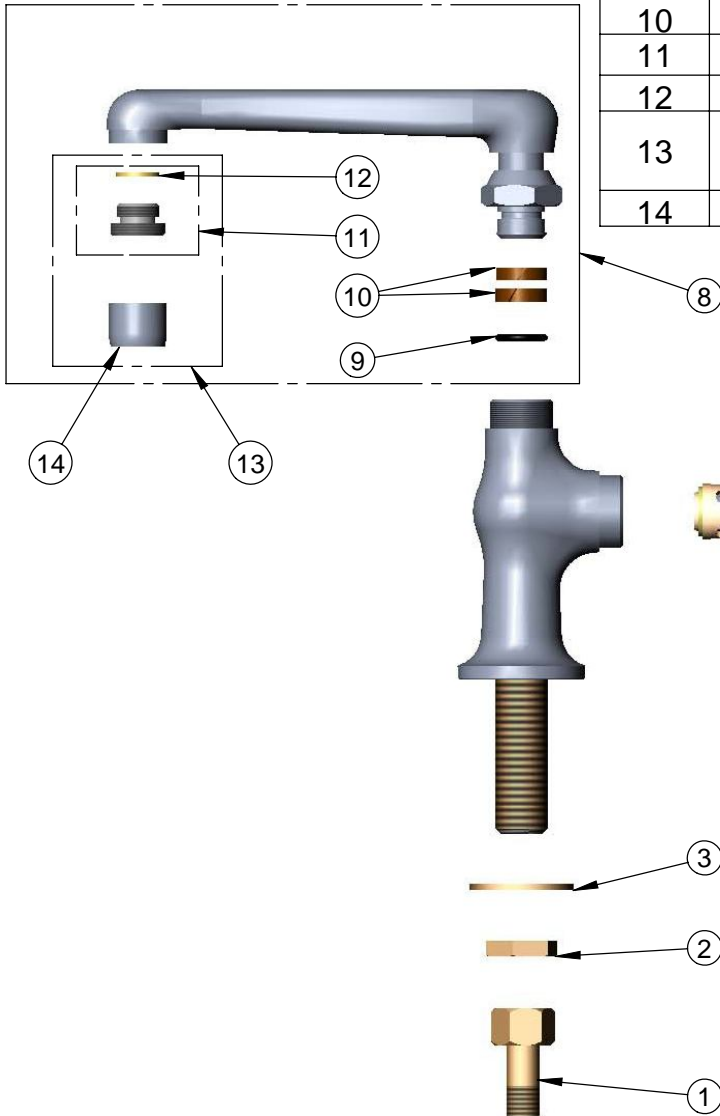
REG. #A2601
ISO #9001

Model No.
B-0208

Item No.

Travelers Rest, SC: 800-476-4103 Simi Valley, CA: 800-423-0150 Fax: 864-834-3518 www.tsbrass.com

ITEM	PART NO.	DESCRIPTION
1	150A	Bag of (1) Nut & (1) Tailpiece
2	002954-45	Shank Lock Nut
3	000999-45	Brass Lock Washer
4	005960-40	Spindle Asm, Eterna "Hot"
5	001638-45	Lever Handle
6	000922-45	Lever Handle Screw
7	001660-45	Blue Index-CW
8	0CS6	6" Cast Spout
9	001074-45	O-Ring
10	011429-45	Swivel Sleeve (2)
11	044A	3/8" to Aerator Adapter
12	001043-45	Washer
13	B-0199-02	2.2 GPM Aerator w/ 3/8" NPT Male Thread Adapter
14	B-0199-01	2.2 GPM Aerator, Female



Product Specifications:

Single Temperature Deck Mount Faucet w/ 1/2" NPSM Male Shank, Eterna Cartridge, Lever Handle, & 6" Cast Spout w/ 2.2 GPM Aerator

Drawn DHL	Checked JRM	Approved JHB
Scale: 1:4		Date: 11/07/08