



T&S BRASS AND BRONZE WORKS, INC.
 2 Saddleback Cove / P.O. Box 1088
 Travelers Rest, SC 29690



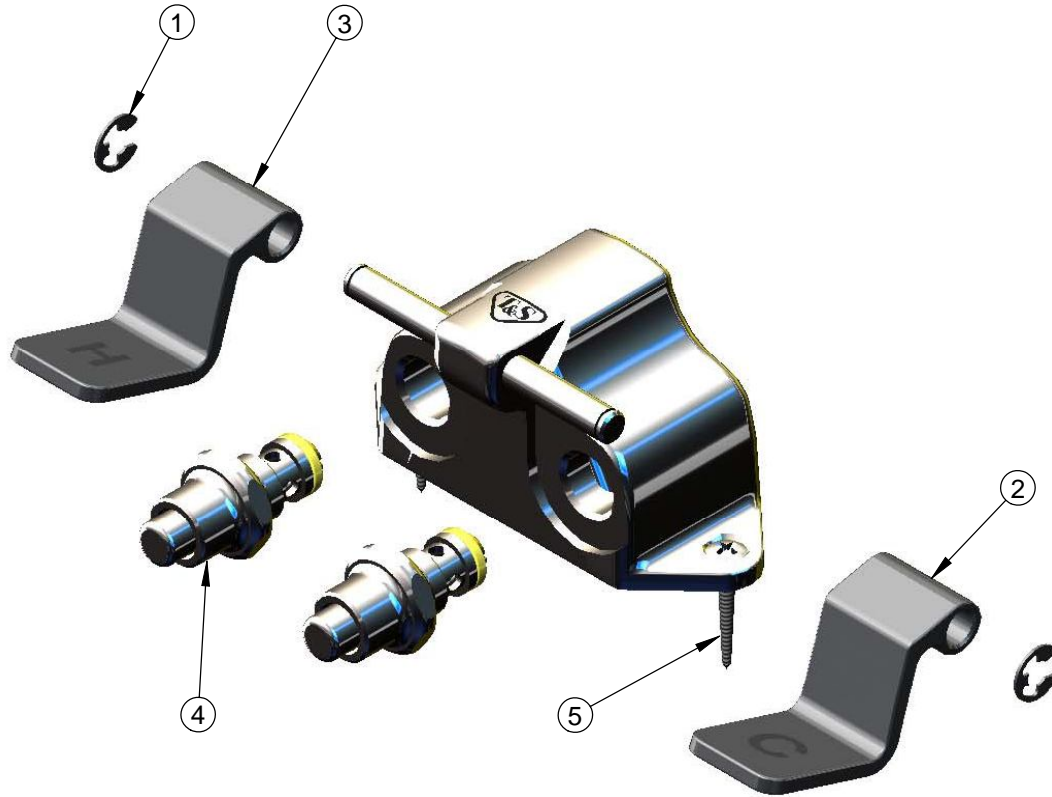
REG. #A2601
 ISO #9001

Model No.
B-0502

Item No.

Travelers Rest, SC: 800-476-4103 Simi Valley, CA: 800-423-0150 Fax: 864-834-3518 www.tsbrass.com

| ITEM | PART NO. | DESCRIPTION |
|------|-----------|----------------|
| 1 | 012512-45 | Retaining Ring |
| 2 | 000091-25 | Cold Pedal |
| 3 | 000092-25 | Hot Pedal |
| 4 | 005312-40 | Bonnet Asm |
| 5 | 000915-45 | Mounting Screw |



Product Specifications:

Double Pedal Valve
 1/2" NPT Female Inlets & Outlet

| | | |
|---------------|----------------|-------------------|
| Drawn GEF | Checked JRM | Approved JHB |
| Scale: 1:2 | | Date: 06/19/08 |