



T&S BRASS AND BRONZE WORKS, INC.

2 Saddleback Cove / P.O. Box 1088
Travelers Rest, SC 29690



REG. #A2601
ISO #9001

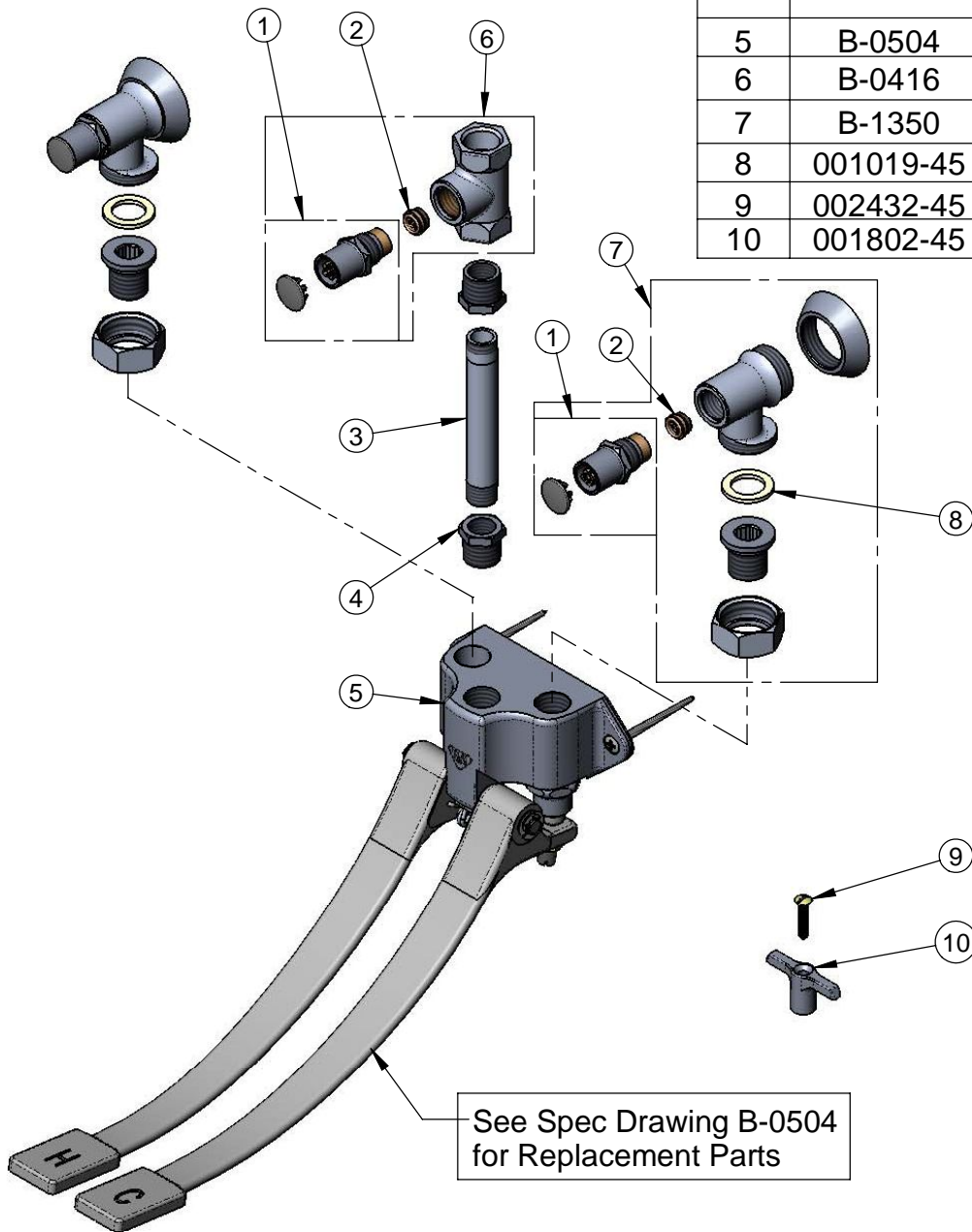
Model No.

B-0504-02

Item No.

Travelers Rest, SC: 800-476-4103 Simi Valley, CA: 800-423-0150 Fax: 864-834-3518 www.tsbrass.com

ITEM NO.	SALES NO.	DESCRIPTION
1	166A	Service Stop Spindle Asm
2	000763-20	Seat
3	010092-40	Nipple, 3/8" NPT x 4 1/4" Long
4	001359-40	Hex Bushing, 1/2" Male x 3/8" Female
5	B-0504	Double Pedal Valve Asm
6	B-0416	Straight Loose Key Stop
7	B-1350	Loose Key Angle Stop
8	001019-45	Coupling Nut Washer
9	002432-45	Screw, Tee Handle
10	001802-45	Handle, Supply Stop "T"



See Spec Drawing B-0504
for Replacement Parts

Product Specifications:

Double Pedal Valve w/ Loose Key Angle Stop
& Straight Volume Control

Drawn KJG	Checked DHL	Approved JHB
Scale: NTS		Date: 07/29/08