



T&S BRASS AND BRONZE WORKS, INC.
 2 Saddleback Cove / P.O. Box 1088
 Travelers Rest, SC 29690



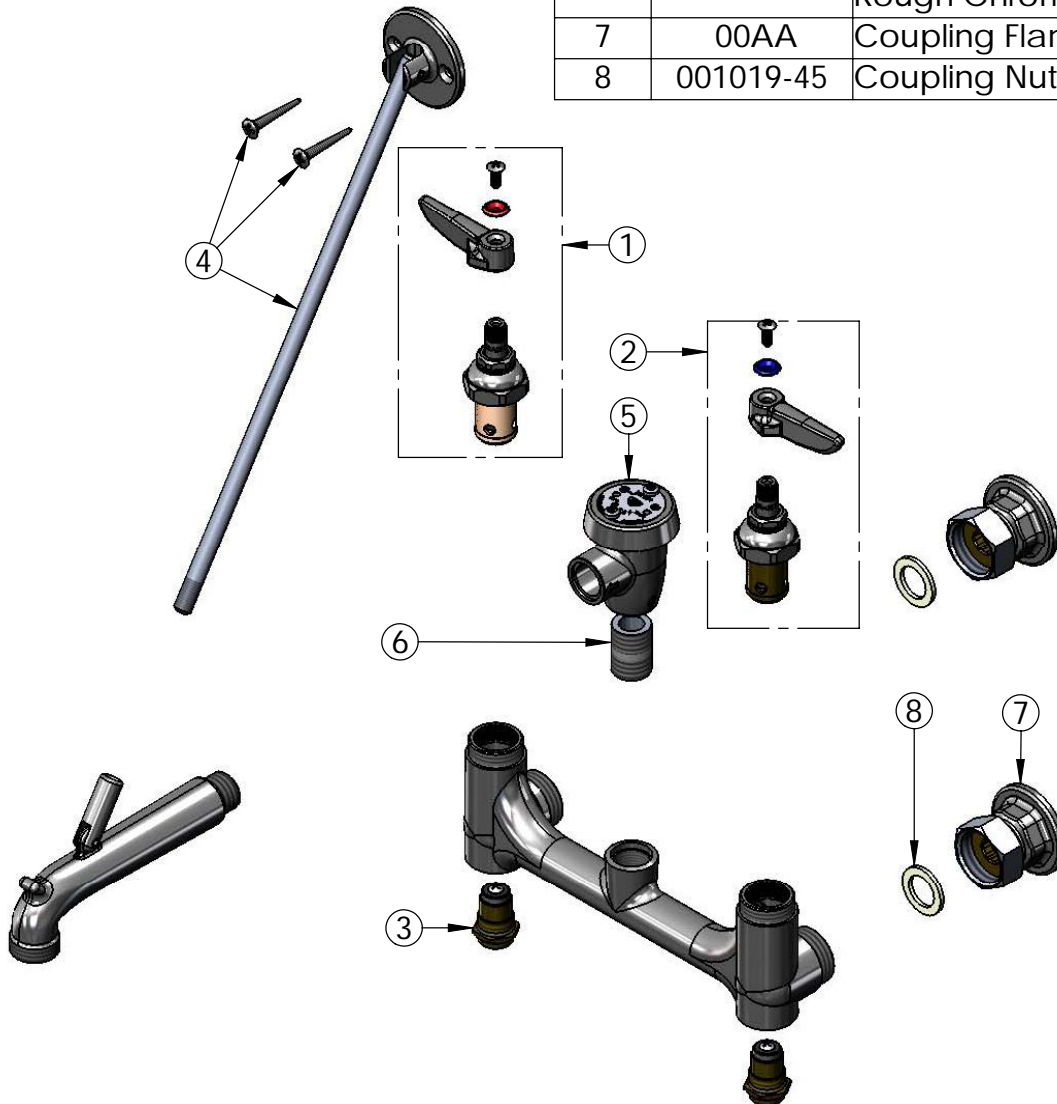
REG. #A2601
 ISO #9001

Model No.
B-0665-BSTP

Item No.

Travelers Rest, SC: 800-476-4103 Simi Valley, CA: 800-423-0150 Fax: 864-834-3518 www.tsbrass.com

ITEM	SALES NO.	DESCRIPTION
1	002712-40	ETRNA SPDL ASM HOT
2	002711-40	ETRNA SPDL ASM COLD
3	163A	BST Assembly 163A
4	009546-40	Upper Support Rod Asm.
5	B-0969	Vacuum Breaker, 1/2
6	002534-25	Close Nipple, 1/2" x 1 5/32" Lg Rough Chrome
7	00AA	Coupling Flange Asm
8	001019-45	Coupling Nut Washer



Product Specifications:

Service Sink, Inlet Stops, Spring Check Cartridges,
 Lever Handles, Polished Chrome

Drawn DHL	Checked GEF	Approved JHB
Scale: 1:4		Date: 10/28/2009