



**T&S BRASS AND BRONZE WORKS, INC.**  
 2 Saddleback Cove / P.O. Box 1088  
 Travelers Rest, SC 29690



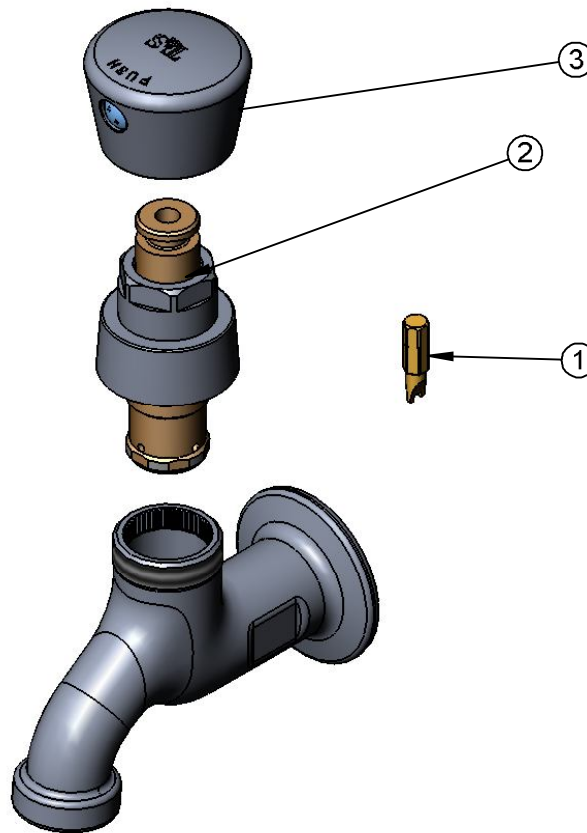
REG. #A2601  
 ISO #9001

Model No.  
**B-0700-01**

Item No.

Travelers Rest, SC: 800-476-4103 Simi Valley, CA: 800-423-0150 Fax: 864-834-3518 www.tsbrass.com

ITEM NO.	SALES NO.	DESCRIPTION
1	014734-45	#8 Spanner Bit
2	238AB	Flow Adjustable Metering Cartridge
3	014193-40	Blank Push Cap Asm



Product Specifications:

Single Sink Faucet w/ 1/2" NPT  
 Female Inlet & Push Handle  
 Metering Cartridge

Drawn  
 JRM

Checked  
 DHL

Approved  
 JHB

Scale:

1:2

Date:

7/27/07