



# T&S BRASS AND BRONZE WORKS, INC.

2 Saddleback Cove / P.O. Box 1088  
Travelers Rest, SC 29690



REG. #A2601  
ISO #9001

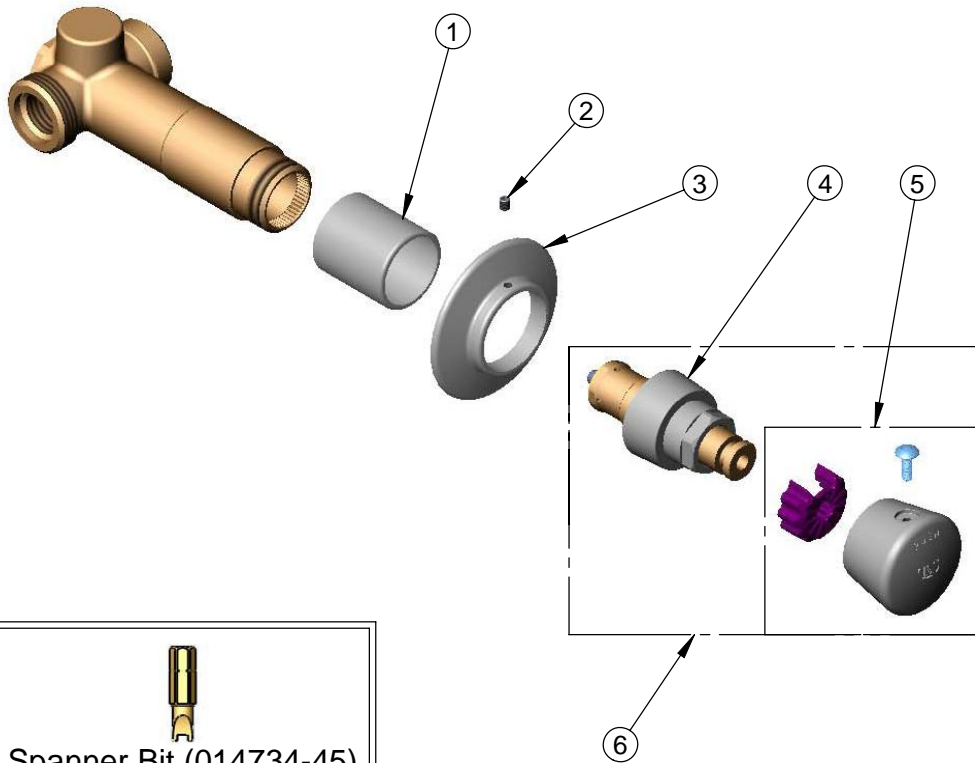
Model No.


**B-1029**

Item No.

Travelers Rest, SC: 800-476-4103 Simi Valley, CA: 800-423-0150 Fax: 864-834-3518 www.tsbrass.com

ITEM NO.	SALES NO.	DESCRIPTION
1	151F	Escutcheon Tube
2	150F	Escutcheon Set Screw
3	001501-40	Escutcheon
4	238A	Push Button Metering Cartridge
5	014193-40	Blank Push Button Assembly
6	238AB	Metering Cartridge w/ Push Button



  
Spanner Bit (014734-45)  
for Vandal Resistant  
Push Button Included.

Product Specifications:

**Concealed Straight Slow Self-Closing Valve  
w/ Adjustable Timed Flow, Vandal Resistant  
Design & Blank Push Button**

Drawn

**DHL**

Checked

**JRM**

Approved

**JHB**

Scale:

**1:4**

Date:

**07/21/08**