



**T&S BRASS AND BRONZE WORKS, INC.**  
 2 Saddleback Cove / P.O. Box 1088  
 Travelers Rest, SC 29690



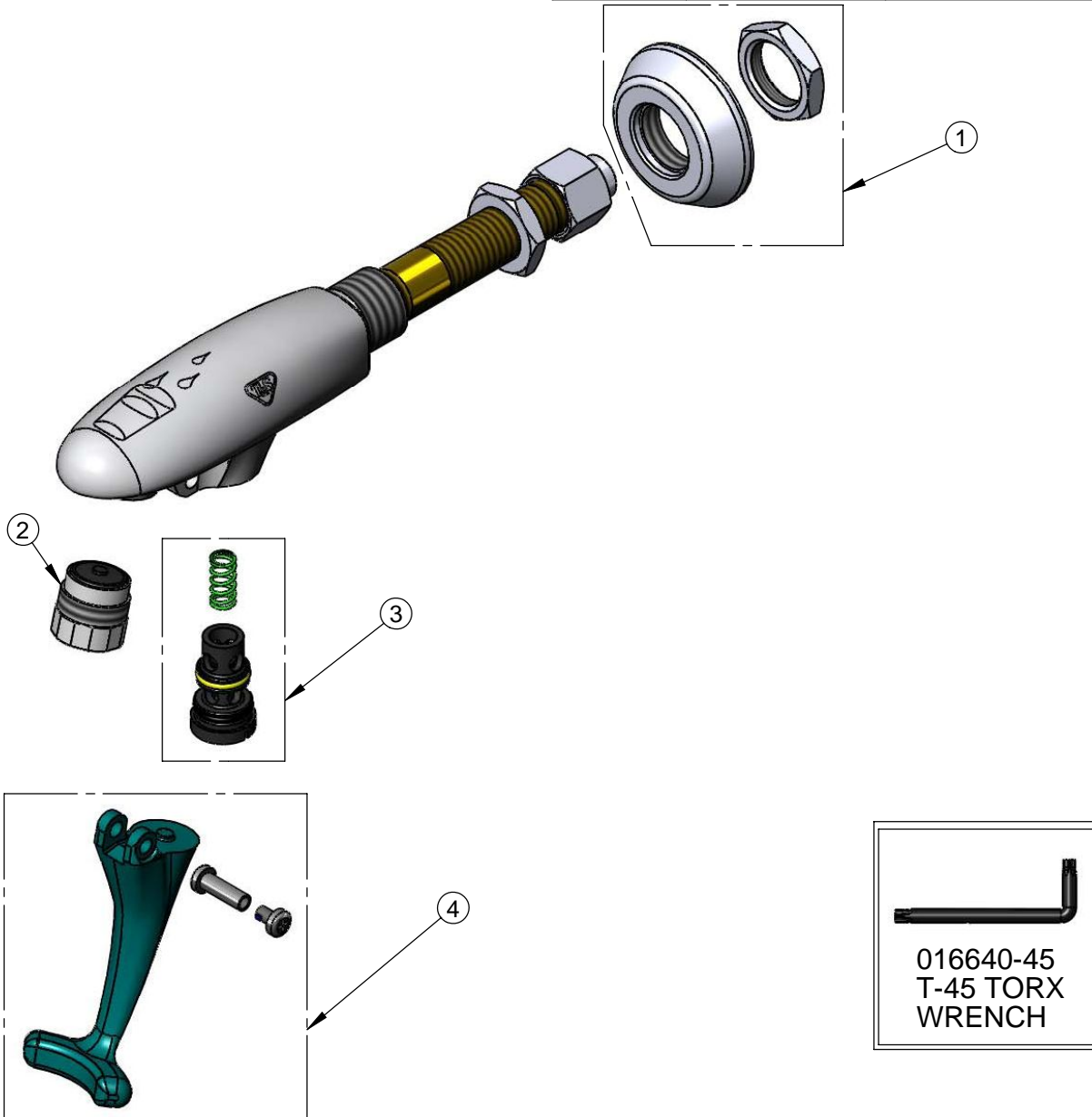
REG. #A2601  
 ISO #9001

Model No.  
**B-1202**

Item No.

Travelers Rest, SC: 800-476-4103 Simi Valley, CA: 800-423-0150 Fax: 864-834-3518 www.tsbrass.com

ITEM NO.	SALES NO.	DESCRIPTION
1	016782-40	Adjustable Wall Flange Repair Kit
2	015588-40	Adjustable Outlet w/Torx Wrench
3	015589-40	Valve Assembly
4	015550-45	Lever Arm Repair Kit



Product Specifications:  
 Wall Mount Glass Filler With Adjustable Slip Flange, 3/8" NPT Female Inlet With Extended Nipple, Blue Self-Closing Lexan Arm

Drawn <b>JRM</b>	Checked <b>DMH</b>	Approved <b>JHB</b>
Scale: <b>1:2</b>		Date: <b>12/19/08</b>