



# T&S BRASS AND BRONZE WORKS, INC.

2 Saddleback Cove / P.O. Box 1088  
Travelers Rest, SC 29690



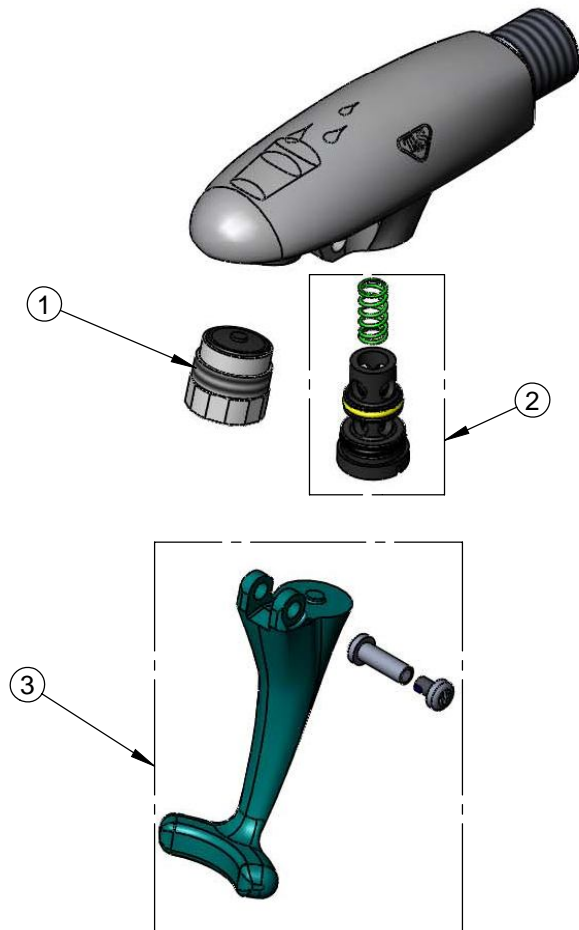
REG. #A2601  
ISO #9001

Model No.  
**B-1204**

Item No.

Travelers Rest, SC: 800-476-4103 Simi Valley, CA: 800-423-0150 Fax: 864-834-3518 www.tsbrass.com

ITEM NO.	SALES NO.	DESCRIPTION
1	015588-40	Adjustable Outlet w/Torx Wrench
2	015589-40	Valve Assembly
3	015550-45	Lever Arm Repair Kit



Product Specifications:

Wall Mount Glass Filler, Push Back Design,  
1/2" NPT Male Inlet, Less Flange, Blue  
Self-Closing Lexan Arm

Drawn <b>JRM</b>	Checked <b>DMH</b>	Approved <b>JHB</b>
Scale: <b>1:2</b>		Date: <b>12/19/08</b>