



T&S BRASS AND BRONZE WORKS, INC.

2 Saddleback Cove / P.O. Box 1088
Travelers Rest, SC 29690



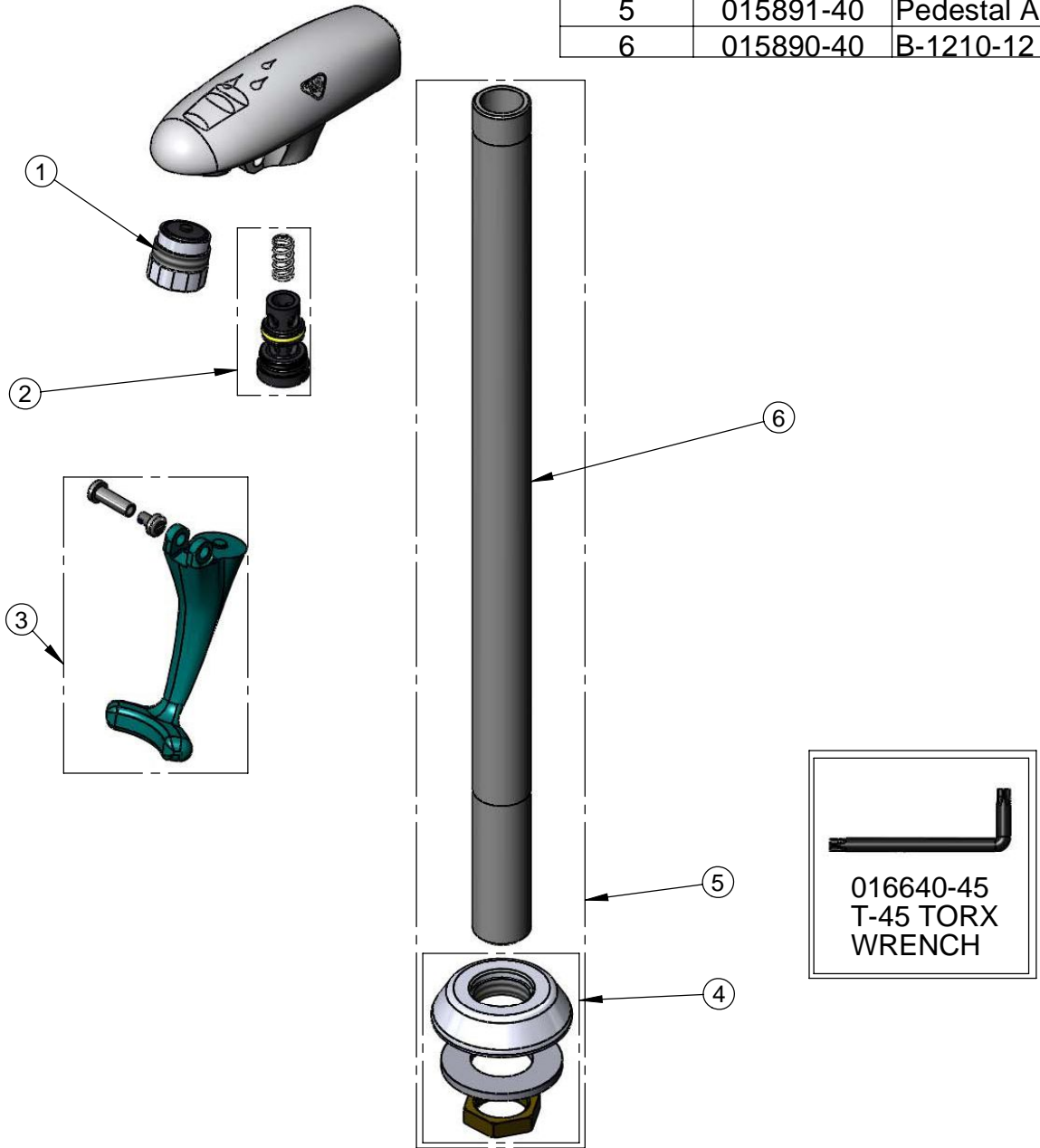
REG. #A2601
ISO #9001

Model No.
B-1210-12

Item No.

Travelers Rest, SC: 800-476-4103 Simi Valley, CA: 800-423-0150 Fax: 864-834-3518 www.tsbrass.com

| ITEM NO. | SALES NO. | DESCRIPTION |
|----------|-----------|-----------------------------------|
| 1 | 015588-40 | Adjustable Outlet w/ Torx Wrench |
| 2 | 015589-40 | Valve Assembly |
| 3 | 015550-45 | Lever Arm repair Kit |
| 4 | 016783-40 | Adjustable deck Flange Repair Kit |
| 5 | 015891-40 | Pedestal Assembly |
| 6 | 015890-40 | B-1210-12 Pedestal |



Product Specifications:
 12" Pedestal Type Glass Filler, Push Back Design, 1/2" NPT Male Shank, Adjustable Flange, Blue Self-Closing Lexan Arm

| | | |
|----------------------|-----------------------|--------------------------|
| Drawn JRM | Checked GEF | Approved JHB |
| Scale: 1:2 | | Date: 10/21/09 |