



T&S BRASS AND BRONZE WORKS, INC.
 2 Saddleback Cove / P.O. Box 1088
 Travelers Rest, SC 29690



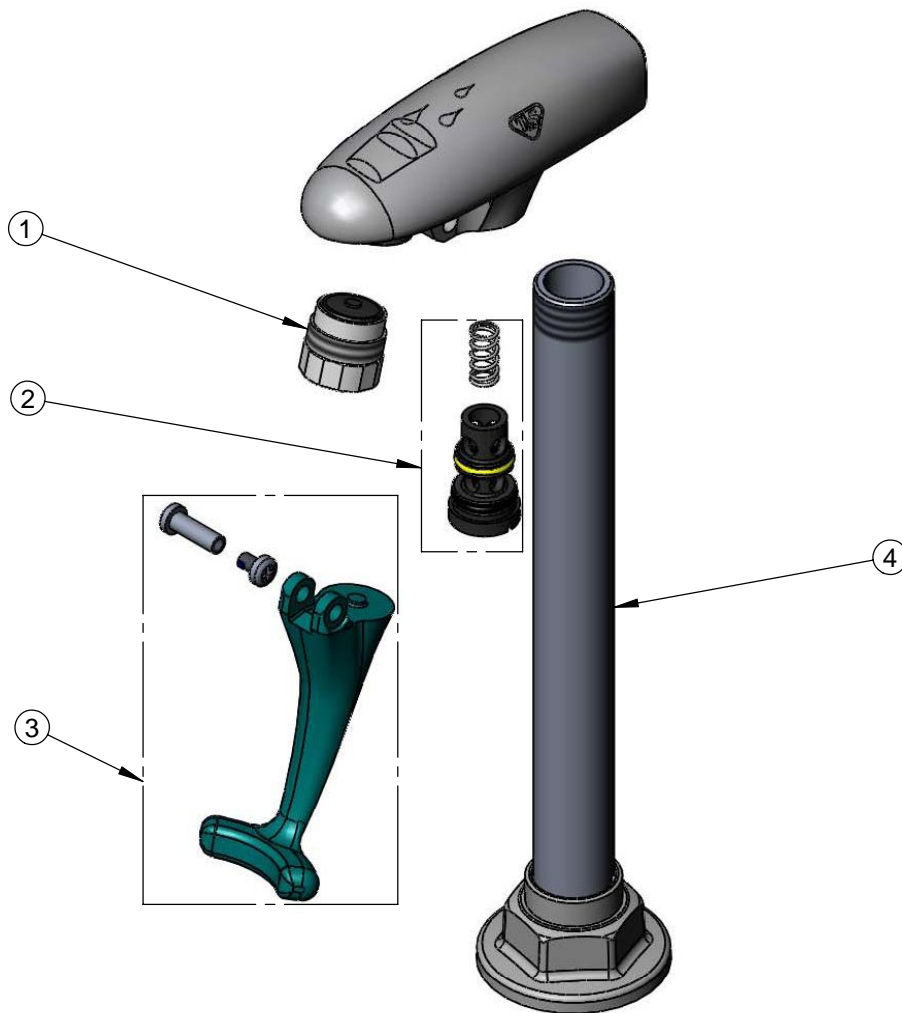
REG. #A2601
 ISO #9001

Model No.
B-1220

Item No.

Travelers Rest, SC: 800-476-4103 Simi Valley, CA: 800-423-0150 Fax: 864-834-3518 www.tsbrass.com

ITEM NO.	SALES NO.	DESCRIPTION
1	015588-40	Adjustable Outlet w/ Torx Wrench
2	015589-40	Valve Assembly
3	015550-45	Lever Arm Repair Kit
4	015982-40	B-1220 8" Pedestal & Flange



Product Specifications:

8" Pedestal Glass Filler, Push Back Design,
 3/8" NPT Female Inlet, Blue Self-Closing Lexan Arm
 Designed for Water Coolers

Drawn JRM	Checked DMH	Approved JHB
Scale: 1:2		Date: 12/19/08