



T&S BRASS AND BRONZE WORKS, INC.

2 Saddleback Cove / P.O. Box 1088
Travelers Rest, SC 29690



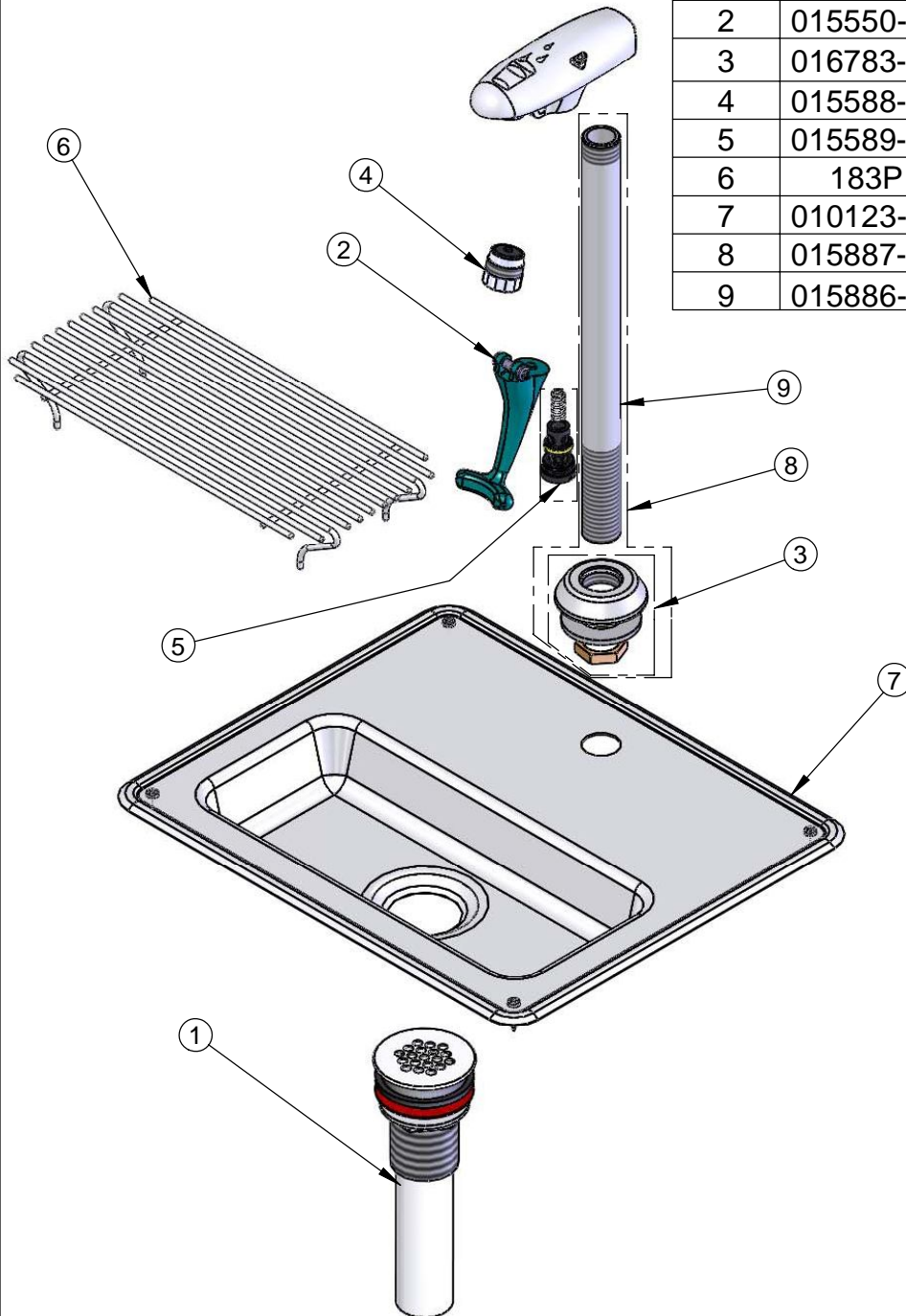
REG. #A2601
ISO #9001

Model No.
B-1230

Item No.

Travelers Rest, SC: 800-476-4103 Simi Valley, CA: 800-423-0150 Fax: 864-834-3518 www.tsbrass.com

ITEM NO.	SALES NO.	DESCRIPTION
1	010126-45	Drip Pan Drain
2	015550-45	Lever Arm Repair Kit
3	016783-40	Adjustable Deck Flange Repair Kit
4	015588-40	Adjustable Outlet w/Torx Wrench
5	015589-40	Valve Assembly
6	183P	Drip Pan Grid
7	010123-45	Drip Pan
8	015887-40	Pedestal Assembly
9	015886-40	B-1210 Pedestal



Product Specifications:

Water Station w/ Pedestal Type Glass Filler, 18 Gauge Stainless Steel Drip Pan, 1/4" Tailpiece for Copper Tubing, 1-1/4" Drain

Drawn JRM	Checked GEF	Approved JHB
Scale: 1:4		Date: 10/21/09