



**T&S BRASS AND BRONZE WORKS, INC.**  
 2 Saddleback Cove / P.O. Box 1088  
 Travelers Rest, SC 29690

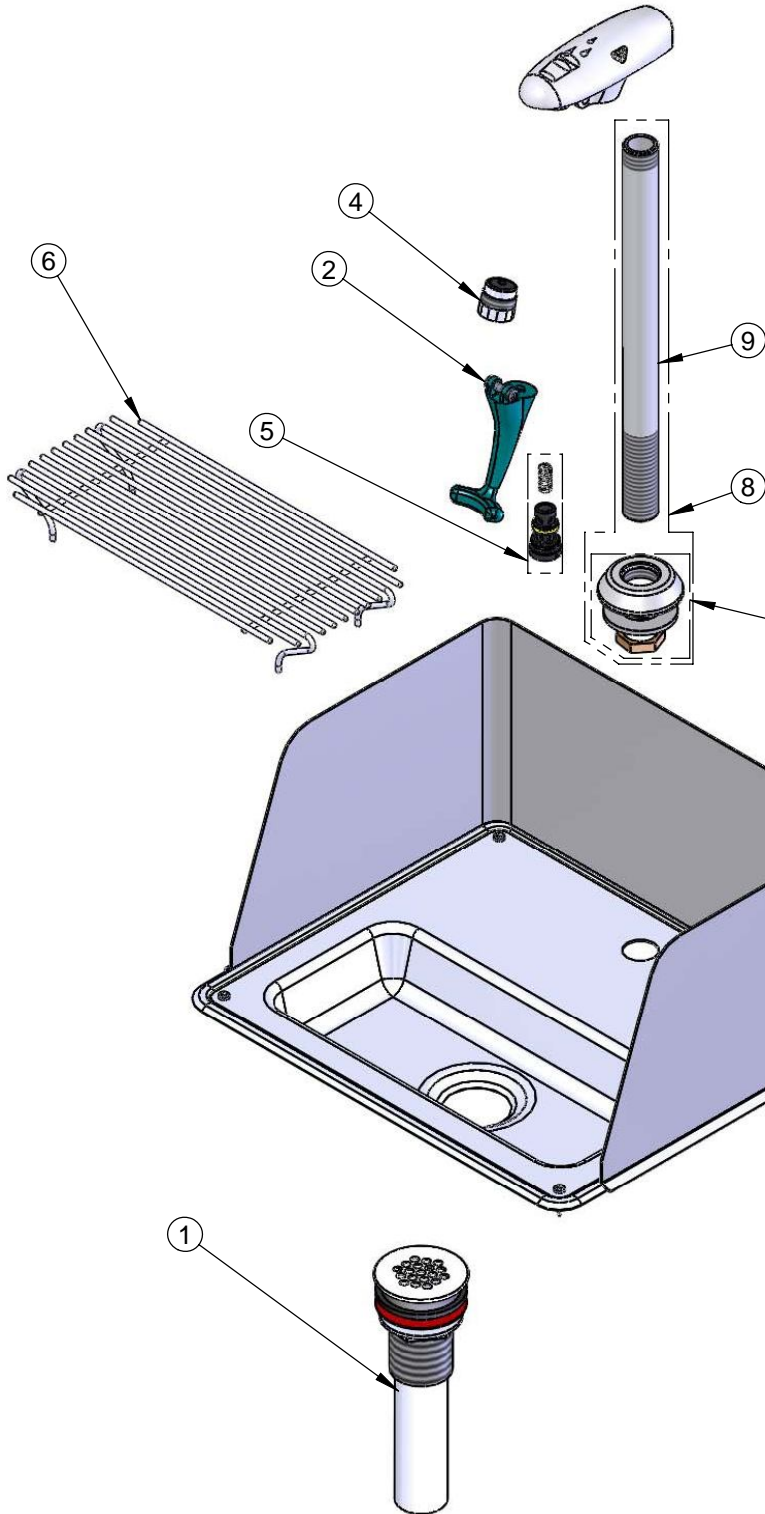


REG. #A2601  
 ISO #9001

Model No.  
**B-1235**

Item No.

Travelers Rest, SC: 800-476-4103 Simi Valley, CA: 800-423-0150 Fax: 864-834-3518 www.tsbrass.com



ITEM NO.	SALES NO.	DESCRIPTION
1	010126-45	Drip Pan Drain
2	015550-45	Lever Arm Repair Kit
3	016783-40	Adjustable Deck Flange Repair Kit
4	015588-40	Adjustable Outlet w/Torx Wrench
5	015589-40	Valve Assembly
6	183P	Drip Pan Grid
7	010124-45	Drip Pan Assembly
8	015887-40	Pedestal Assembly
9	015886-40	B-1210 Pedestal



**Product Specifications:**

Water Station w/ Pedestal Type Glass Filler,  
 18 Gauge Stainless Steel Drip Pan with Splashguard,  
 1/4" Tailpiece for Copper Tubing, 1-1/4" Drain

Drawn <b>JRM</b>	Checked <b>GEF</b>	Approved <b>JHB</b>
Scale: <b>1:4</b>		Date: <b>10/21/09</b>