



# T&S BRASS AND BRONZE WORKS, INC.

2 Saddleback Cove / P.O. Box 1088  
Travelers Rest, SC 29690



REG. #A2601  
ISO #9001

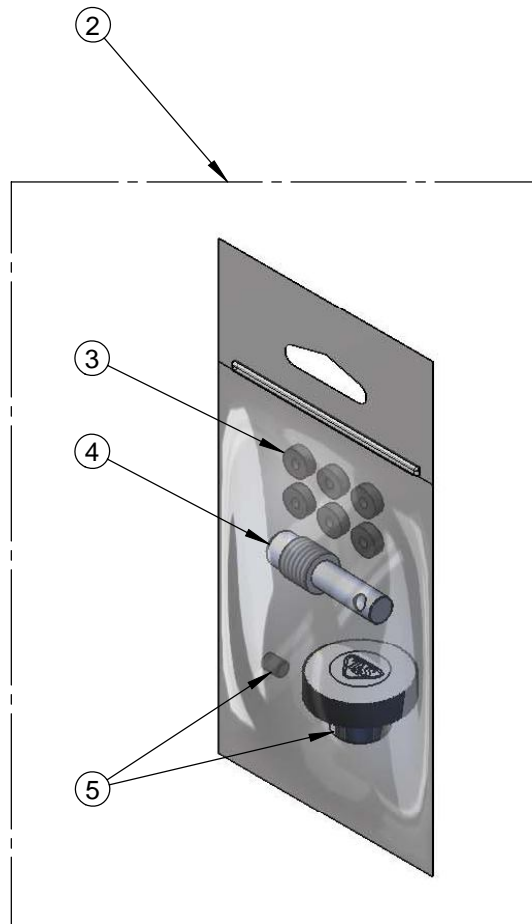
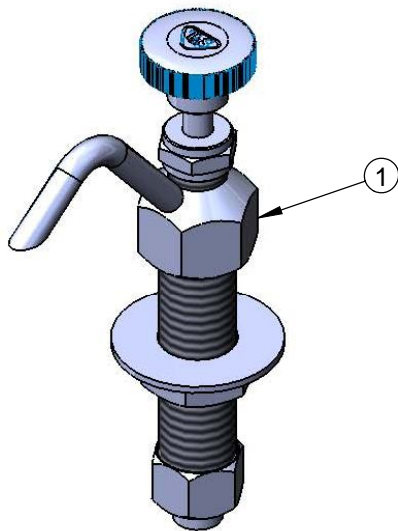
Model No.

**B-2282**

Item No.

Travelers Rest, SC: 800-476-4103 Simi Valley, CA: 800-423-0150 Fax: 864-834-3518 www.tsbrass.com

ITEM NO.	SALES NO.	DESCRIPTION
1	B-2282	Dipperwell Faucet
2	B-2282-RK	Parts Kit for Dipperwell
3	012481-45	Seat Washer for Dipperwell Stem
4	006680-45	Dipperwell Stem, Seat Washer & Screw
5	014041-45	Dipperwell Knob & Set Screw



Product Specifications:

Dipperwell Faucet

Drawn

**DHL**

Checked

**GEF**

Approved

**JHB**

Scale:

**1:4**

Date:

**06/30/08**