



**T&S BRASS AND BRONZE WORKS, INC.**  
 2 Saddleback Cove / P.O. Box 1088  
 Travelers Rest, SC 29690



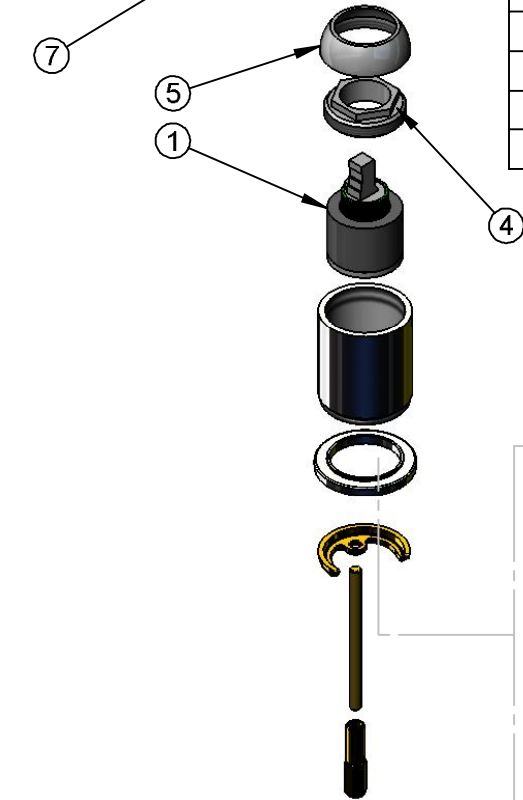
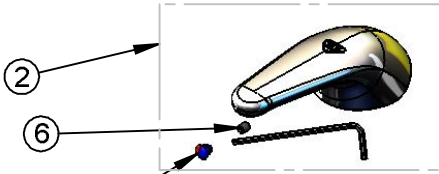
REG. #A2601  
 ISO #9001

Model No.

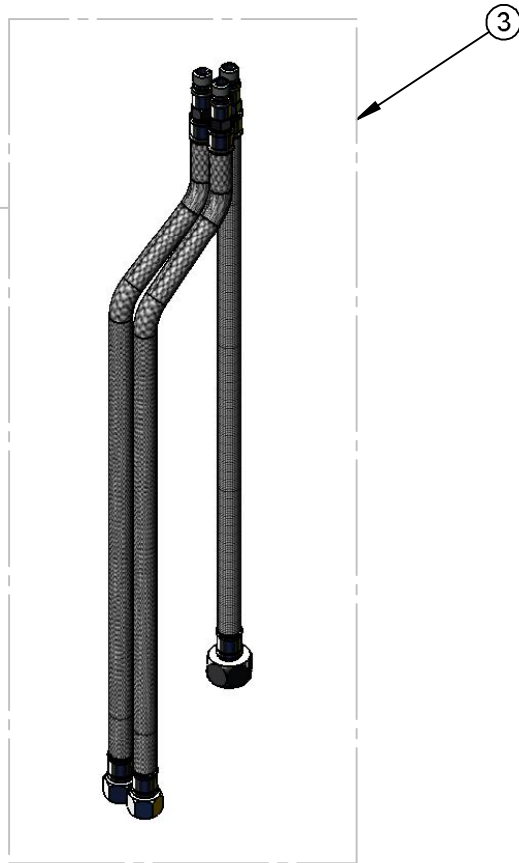
**B-2740**

Item No.

Travelers Rest, SC: 800-476-4103 Simi Valley, CA: 800-423-0150 Fax: 864-834-3518 www.tsbrass.com



ITEM NO.	SALES NO.	DESCRIPTION
1	013080-45	Cartridge, B-2740 Side Mount
2	013113-45	Single Lever Handle Assembly
3	013537-45	Inlet & Outlet Hoses, B-2740
4	016663-45	Locking Nut
5	016661-45	Trim Ring
6	016675-45	Set Screw
8	014173-45	Index, Temperature



Product Specifications:

Side Mount Faucet:  
 Remote On/Off Control Base w/ Flexible  
 Stainless Steel Water Connectors, and  
 Ceramic Cartridge

Drawn

ARH

Checked

GEF

Approved

JHB

Scale:

1:4

Date:

03/03/08