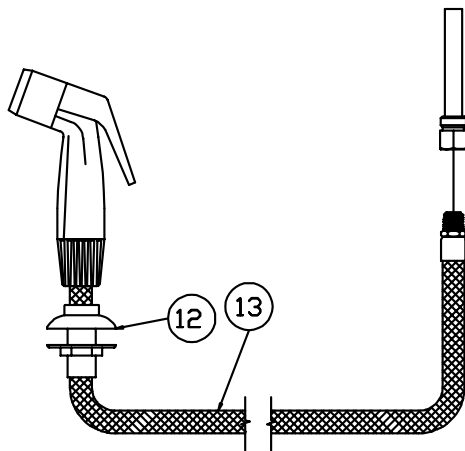
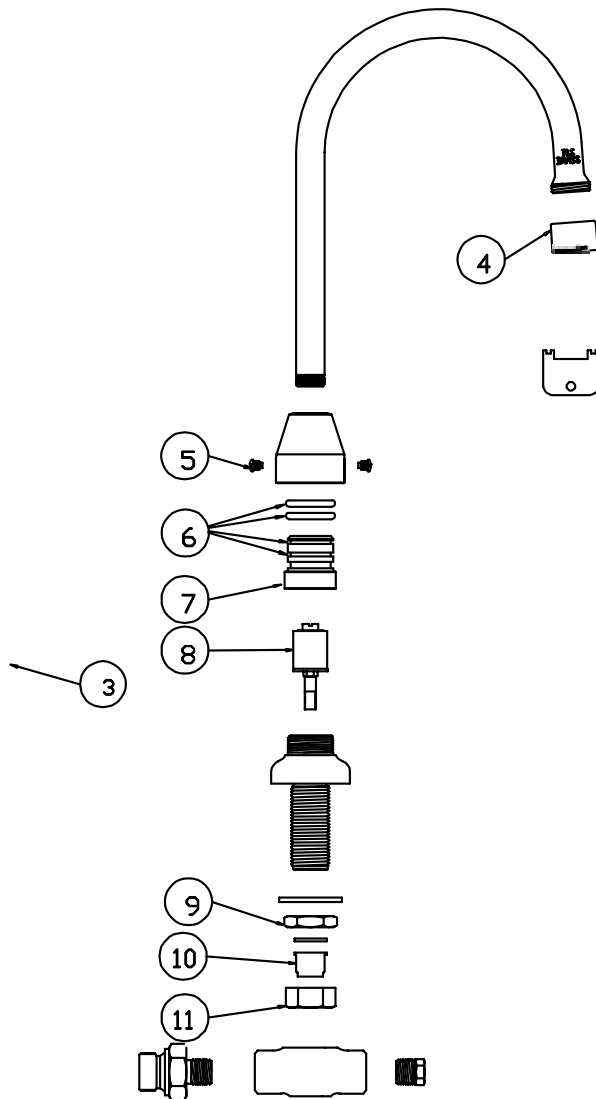
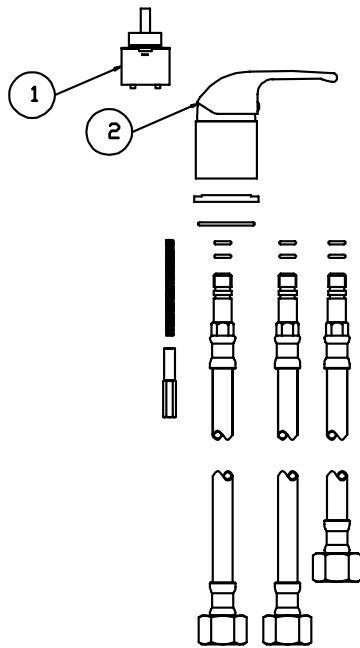


B-2743



Side Mount Faucet with Sidespray

1	Cartridge	013536-45
2	Asm, Handle, Screw, Colored Plug	013535-45
3	Hoses, Set of 3	013537-45
4	Aerator, Vandal Resistant	B-0199-06
5	Screw, Diverter	001486-45
6	O-Ring, Body, Center	001069-45
7	Adapter, Diverter	001484-20
8	Diverter, Piston	009433-20
9	Locknut	002954-45
10	Insert	003700-45
11	Coupling	003701-45
12	Hose, Guide	001496-45
13	Diverter, Hose, Spray	001495-45

