



T&S BRASS AND BRONZE WORKS, INC.
 2 Saddleback Cove / P.O. Box 1088
 Travelers Rest, SC 29690



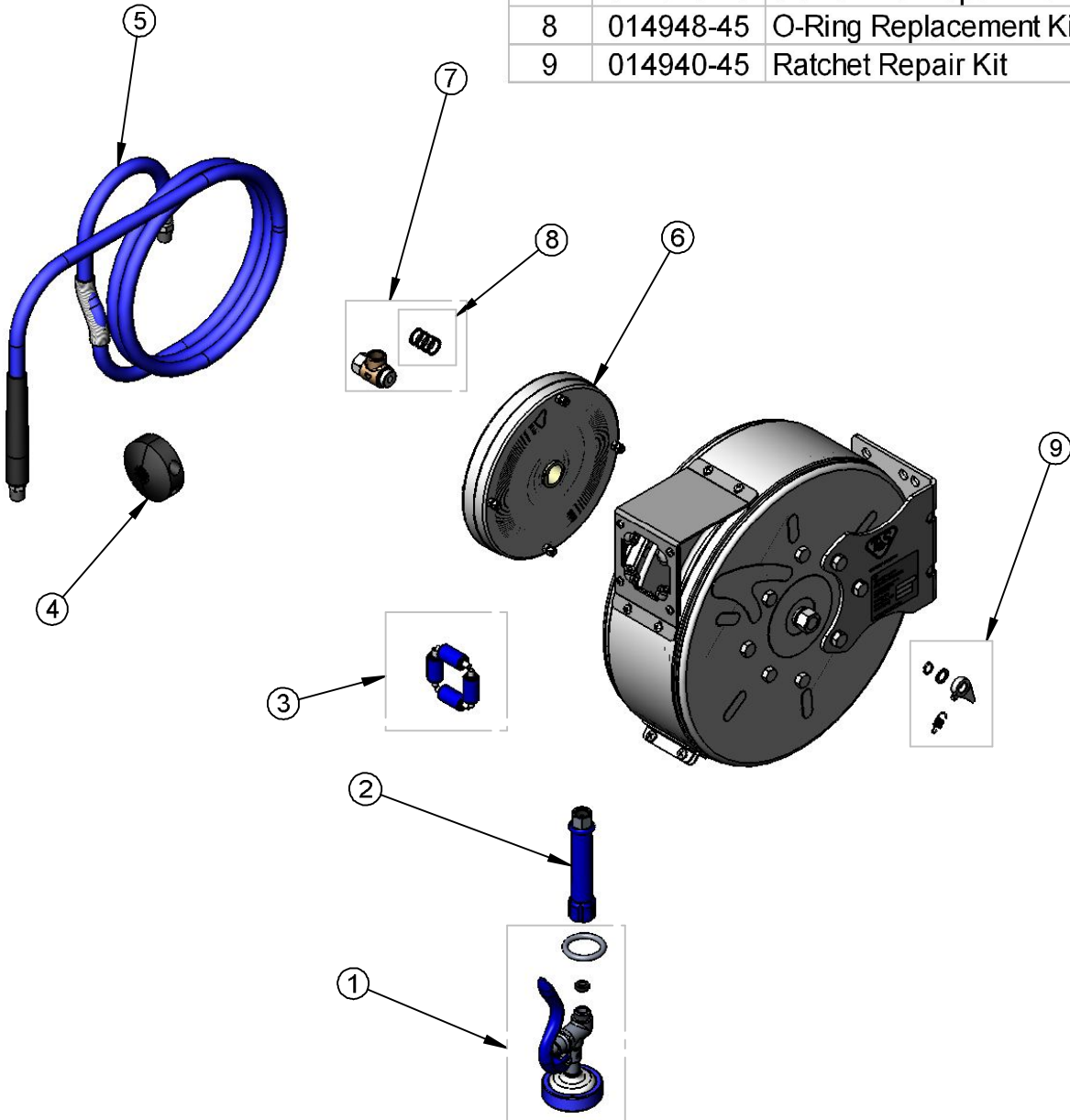
REG. #A2601
 ISO #9001

Model No.
B-7122-C01

Item No.

Travelers Rest, SC: 800-476-4103 Simi Valley, CA: 800-423-0150 Fax: 864-834-3518 www.tsbrass.com

1	EB-0107	Hi-Flow Blue Spray Valve
2	012504-40	Blue Handle Grip
3	014936-45	Roller Assembly Repair Kit
4	014949-45	Hose Stop Repair Kit
5	014943-45	3/8" x 30' Hose Replacement Kit
6	014933-45	Small SS Spring Assembly
7	014946-45	3/8" Swivel Repair Kit
8	014948-45	O-Ring Replacement Kit
9	014940-45	Ratchet Repair Kit



Product Specifications:

3/8" x 30 Ft. Enclosed Stainless Steel Reel
 EB-0107 Blue Spray Valve

Drawn JRM	Checked DHL	Approved JHB
Scale: 1:8		Date: 12/19/07