



T&S BRASS AND BRONZE WORKS, INC.
 2 Saddleback Cove / P.O. Box 1088
 Travelers Rest, SC 29690



REG. #A2601
 ISO #9001

Model No.
BL-4200 SERIES

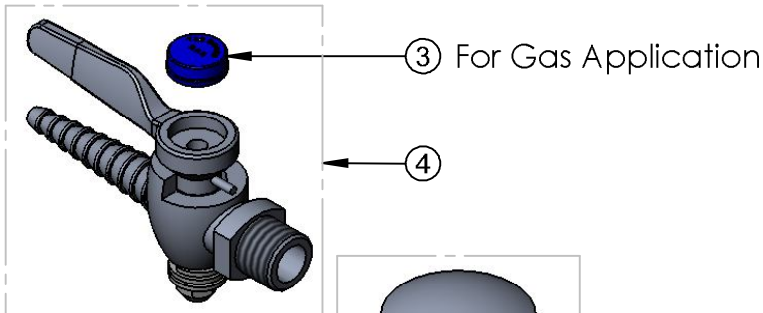
Item No.

Travelers Rest, SC: 800-476-4103 Simi Valley, CA: 800-423-0150 Fax: 864-834-3518 www.tsbrass.com

ITEM NO.	SALES NO.	DESCRIPTION
1	001203-45	Cap, Index, Orange, Air
2	001200-45	Cap, Index, Yellow, Vacuum
3	001197-45	Cap, Index, Blue Gas
4	BL-4000-01	Ground Key Hose Cock w/ Blue Gas Cap Index
5	001158-45	Gasket, Polypropylene, Black

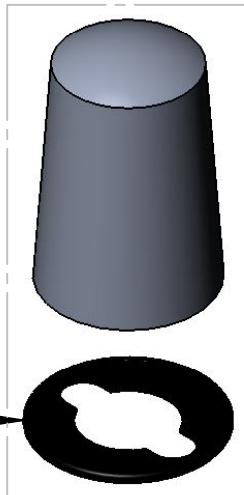
 ① For Air Application

 ② For Vacuum Application



③ For Gas Application

④



← Turret Sold Separately
 w/ Gasket as BL-4100-XX.
 -XX Suffix References the
 Number of Outlets and their
 Orientation per Turret. See
 Table on Page "1" for Suffix.

⑤

Product Specifications:

Laboratory Turret w/ Serrated Hose Cock

Drawn

ARH

Checked

JRM

Approved

JHB

Scale:

1:2

Date:

01/10/07