



T&S BRASS AND BRONZE WORKS, INC.
 2 Saddleback Cove / P.O. Box 1088
 Travelers Rest, SC 29690



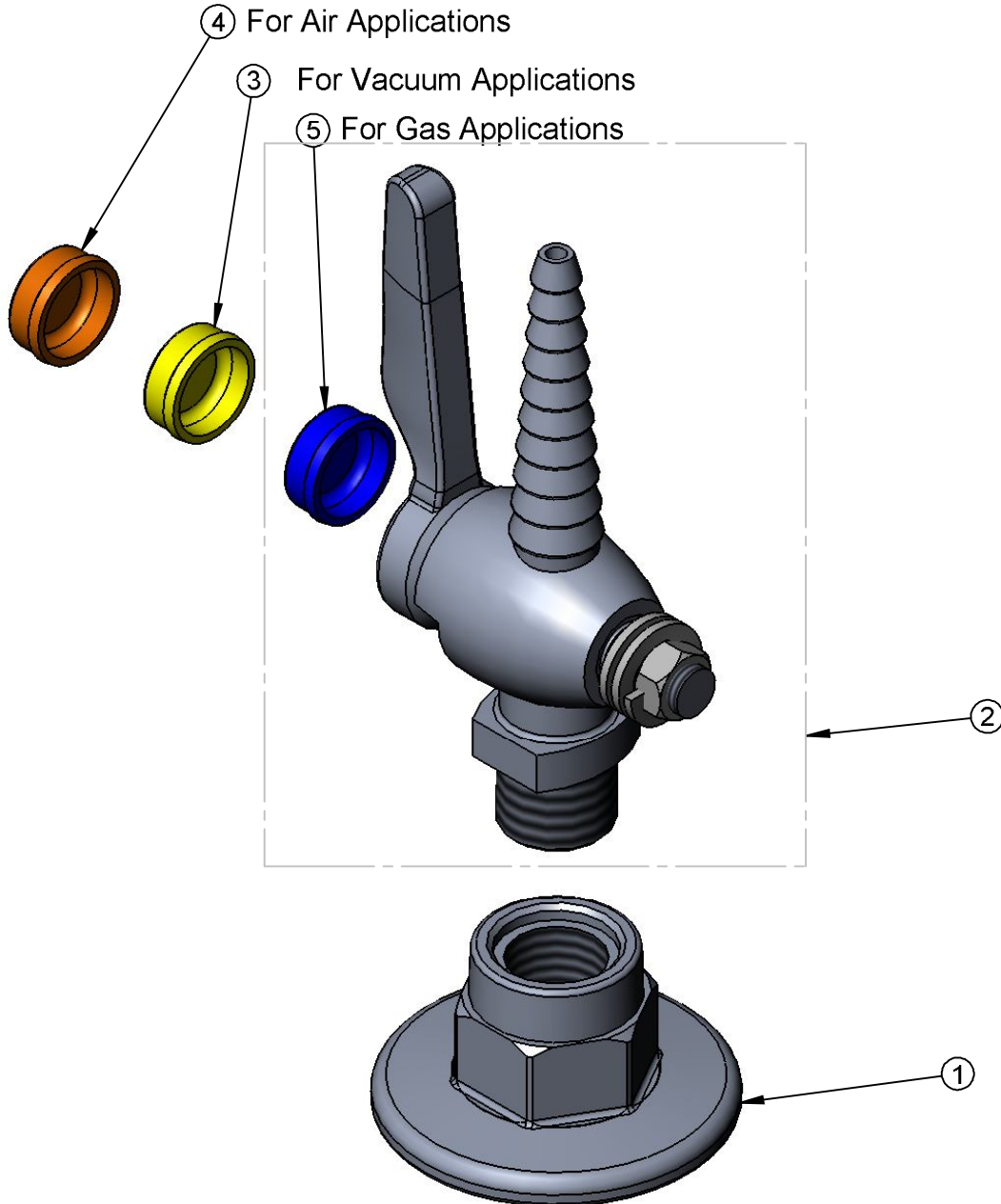
REG. #A2601
 ISO #9001

Model No.
BL-4250-01

Item No.

Travelers Rest, SC: 800-476-4103 Simi Valley, CA: 800-423-0150 Fax: 864-834-3518 www.tsbrass.com

ITEM NO.	SALES NUMBER	DESCRIPTION
1	000012-40	Flange, 3/8" NPT
2	BL-4000-01	Cock Assembly, Ground Key
3	001200-45	Cap, Index, Yellow, Vacuum
4	001203-45	Cap, Index, Orange, Air
5	001197-45	Cap, Index, Blue, Gas



Product Specifications:

Laboratory Panel Flange W/
 3/8" NPT Female Hose Cock

Drawn ARH	Checked JRM	Approved JHB
--------------	----------------	-----------------

Scale: 1:1	Date: 9/19/07
---------------	------------------