



T&S BRASS AND BRONZE WORKS, INC.

2 Saddleback Cove / P.O. Box 1088
Travelers Rest, SC 29690

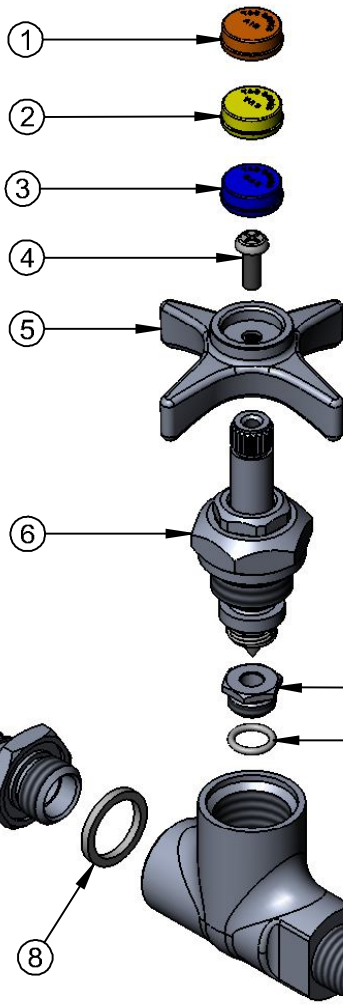


REG. #A2601
ISO #9001

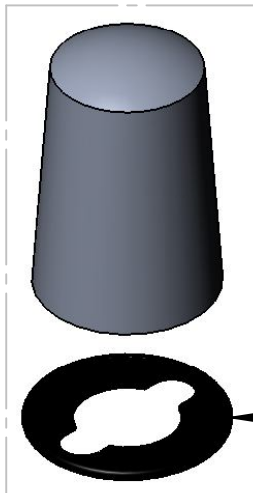
Model No.
BL-4300 SERIES

Item No.

Travelers Rest, SC: 800-476-4103 Simi Valley, CA: 800-423-0150 Fax: 864-834-3518 www.tsbrass.com



| ITEM NO. | SALES NO. | DESCRIPTION |
|----------|-----------|-------------------------------------|
| 1 | 001203-45 | Cap, Index, Orange, Air |
| 2 | 001200-45 | Cap, Index, Yellow, Vacuum |
| 3 | 001197-45 | Cap, Index, Blue Gas |
| 4 | 000925-45 | Lab Handle Screw |
| 5 | 000059-40 | 4-Arm Lab Handle |
| 6 | 005975-40 | Spindle Assembly, BL-4500-01 |
| 7 | 001658-40 | Hose End, Serrated, Brass, PLTD |
| 8 | 009641-45 | Washer, 7/8" OD X 11/16ID X 3/32THK |
| 9 | 000529-40 | Seat, BL-4500-01 |
| 10 | 006574-45 | O-ring, 0.364 ID X .070 WT |
| 11 | 001158-45 | Gasket, Polypropylene, Black |



Turret Sold Separately w/
Gasket as BL-4100-XX.
-XX Suffix References the
Number of Outlets and
Their Orientation per Turret.
See Table on Page 1 for
Suffix.

Product Specifications:

**Laboratory Turret with
Gas Stop(s)**

| | | |
|---------------|----------------|--------------------|
| Drawn DHL | Checked JRM | Approved JHB |
| Scale: 1:2 | | Date: 1/12/2007 |