



T&S BRASS AND BRONZE WORKS, INC.

2 Saddleback Cove / P.O. Box 1088
Travelers Rest, SC 29690



REG. #A2601
ISO #9001

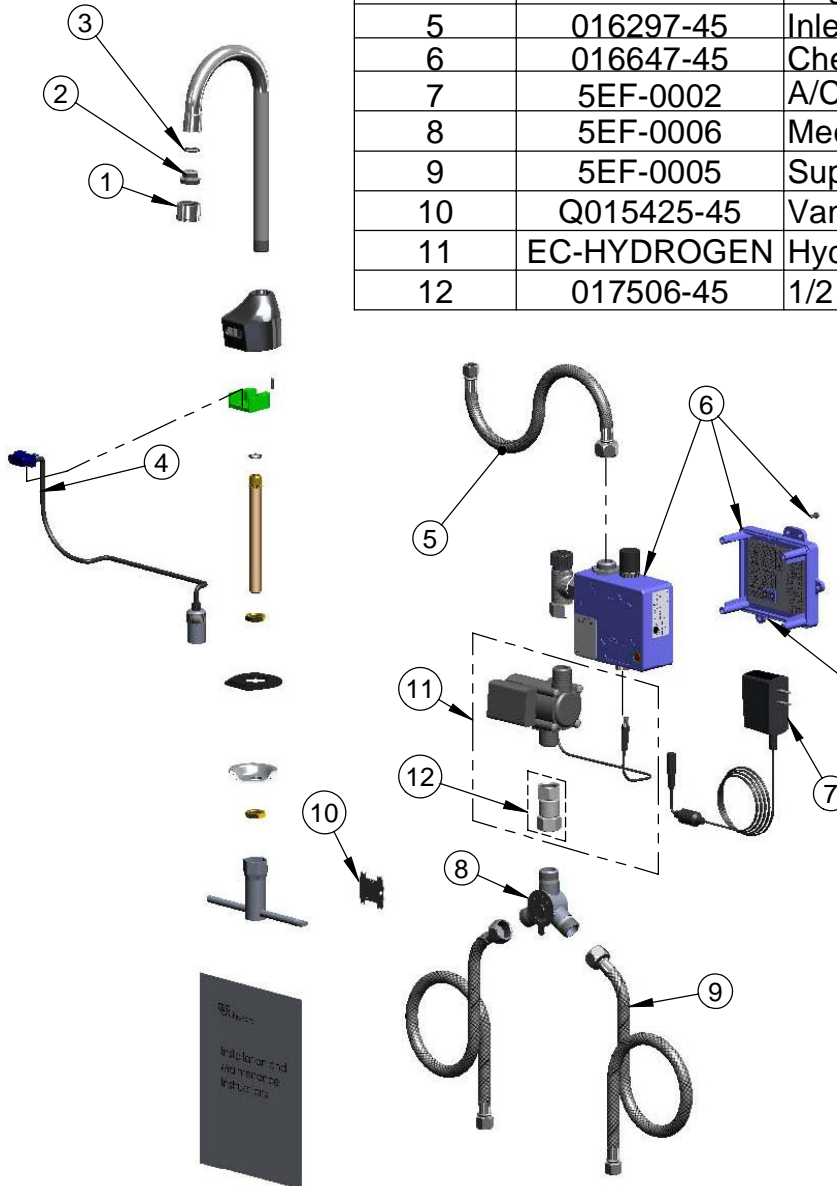
Model No.

EC-3100-HG

Item No.

Travelers Rest, SC: 800-476-4103 Simi Valley, CA: 800-423-0150 Fax: 864-834-3518 www.tsbrass.com

ITEM NO.	SALES NUMBER	DESCRIPTION
1	B-0199-06	VR Aerator w/ Key
2	044A	3/8" to Aerator Adapter
3	006575-45	-015 O-Ring
4	017195-45	Angled Sensor w/ Cable
5	016297-45	Inlet Hose, Faucet, 1/2" NPSM-F x 1/4" NPSM-F
6	016647-45	ChekPoint Module (Blue)
7	5EF-0002	A/C Transformer
8	5EF-0006	Mechanical Mixing Valve
9	5EF-0005	Supply Hose, 9/16-24 Female x 1/2" NPSM
10	Q015425-45	Vandal Resistant Key
11	EC-HYDROGEN	Hydro-generator and Swivel Coupling
12	017506-45	1/2 NPSM Swivel Coupling



Label for Flow Control Switch Settings is located on Inside of Back Cover.

Flow Control Switches are located inside Module Housing in Black Box next to Battery Compartment.
*Switches are set to DEFAULT position:
Auto Time Out = 10 seconds
Shut Off Delay = 1 second

Remove (4) screws and back cover to access switches.

***Available Water Flow Control Selections:**

- (6) Auto Time Out Selections - 10 sec, 25 sec, 45 sec, 60 sec, 3 min, 20 min
- (6) Shut Off Delay Selections - 1 sec, 2 sec, 3 sec, 4 sec, 5 sec, 6 sec

Product Specifications: **Chrome Plated Brass Electronic Faucet: Deck Mt. Rigid Gooseneck w/ VR Aerator, AC/DC Control Module w/ Internal Flow Cont. Setting Switches, Temperature Cont. Mixing Valve w/ Integral Check Valves,, Hydro-Generator, 18" Long Hot & Cold Supply Stop Flexible Connector Hoses**

Drawn DHL	Checked DMH	Approved JHB
Scale: 1:8		Date: 10/16/09