



T&S BRASS AND BRONZE WORKS, INC.

2 Saddleback Cove / P.O. Box 1088
Travelers Rest, SC 29690



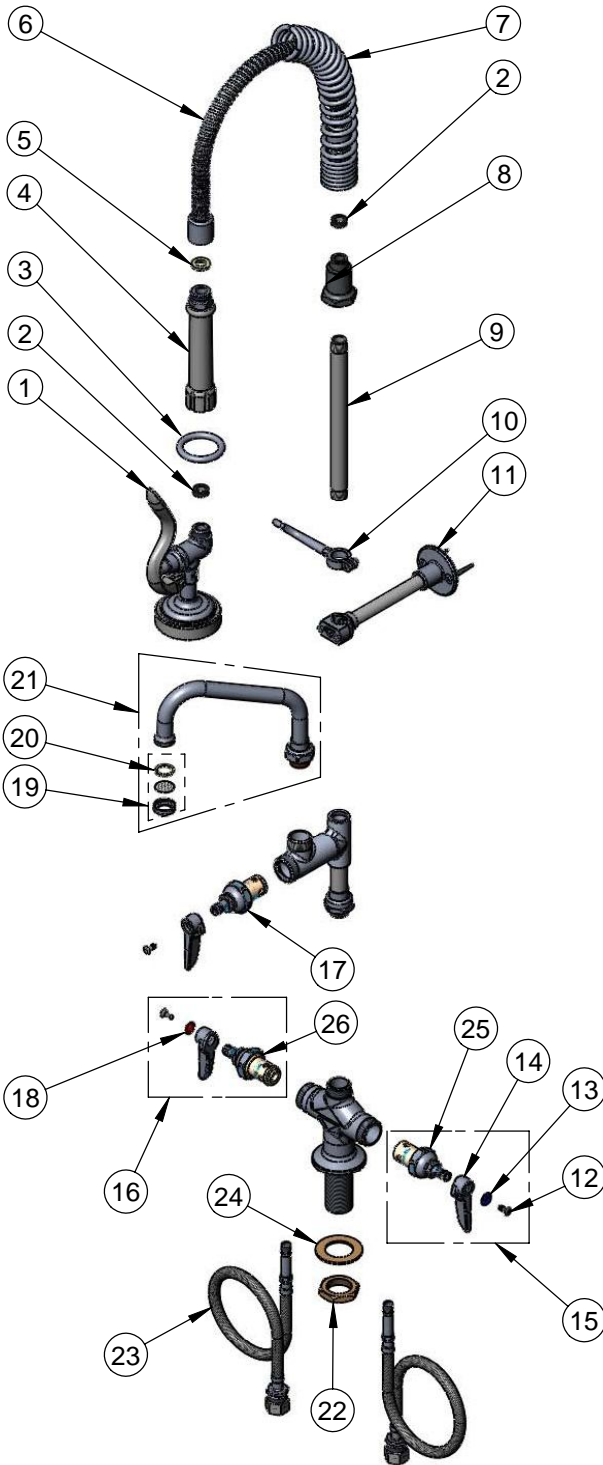
REG. #A2601
ISO #9001

Model No.

MPZ-2DLN-06

Item No.

Travelers Rest, SC: 800-476-4103 Simi Valley, CA: 800-423-0150 Fax: 864-834-3518 www.tsbrass.com



ITEM NO.	SALES NO.	DESCRIPTION
1	B-0107	1.42 GPM Spray Valve
2	010476-45	#27 Washer
3	000907-45	Spray Valve Hold Down Ring
4	002987-40	Grip Handle Assembly
5	010475-45	Washer, B-0100 Hose Barrel
6	B-0024-H2A	24" Flex Hose Asm. Less Handle
7	016795-45	Compact Spring
8	000821-40	Spring Body
9	000364-40	3/8" x 8" Riser
10	004R	Finger Hook Assembly
11	B-0109-01	6" Wall Bracket Assembly
12	000922-45	Lever Handle Screw
13	001660-45	Blue Index-CW
14	001638-45	Lever Handle
15	002711-40	Cold Eterna Spindle Asm w/ Spring Check, Handle, Index & Screw
16	002712-40	Hot Eterna Spindle Asm w/ Spring Check, Handle, Index & Screw
17	005960-40	Spindle Asm, Eterna "Hot"
18	001661-45	Red Index-HW
19	B-PT	Stream Regulator Outlet
20	001048-45	Nozzle Tip Washer
21	059X	6" Swing Nozzle
22	000965-45	Lock Nut
23	012534-45	Flexible Connector Hose
24	007365-45	Lock Washer
25	012442-40	Cold Eterna Spindle Assembly w/ Spring Check
26	012443-40	Hot Eterna Spindle Assembly w/ Spring Check

Product Specifications:

Easy Install Pre-Rinse Unit:
Single Deck Mount Base Mixing Faucet, Add-On Faucet,
6" Swing Nozzle, Compact Spring & Flex Hose, B-0107
Spray Valve, 6" Wall Bracket & Lever Handles

Drawn KJG	Checked GEF	Approved JHB
Scale: NTS		Date: 5/16/08