

MIX-60-A

► **Description**

Below Deck Mechanical Water Mixing Valve for use with a single Sloan Optima[®] faucet.

► **Model**

□ Model MIX-60-A

Supplied with Sloan Optima and Optima *Plus* faucets that are specified with the "BDM" (Below-Deck-Mixer) variation.

► **Specifications**

Mechanical Water Mixing Valve with the following features:

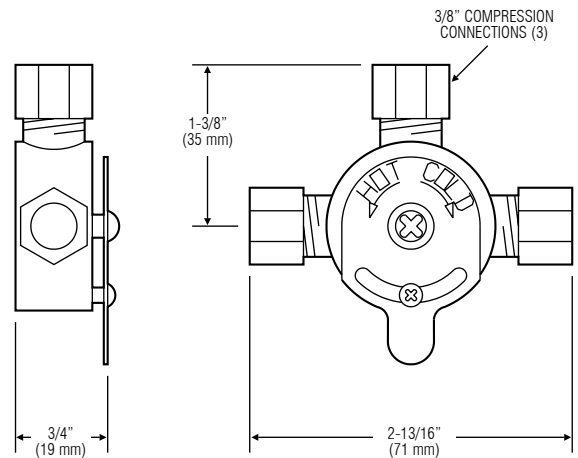
- Designed to install under the lavatory
- Installs in place of the Tee fitting supplied with the faucet prior to the solenoid valve
- Equipped with integral check valves at inlets
- 3/8" compression fittings on inlets and outlet
- Compression sleeves and nuts included
- Lever dial adjustment with lock screw: COLD-HOT
- Brass construction
- Chrome plated finish

► **Flow Capacities**

SYSTEM PRESSURE						
PSI	20	30	40	50	60	70
BAR	1.4	2.1	2.8	3.4	4.2	4.9
GPM	1.75	2.25	2.75	3.0	3.5	4.0
Lpm	6.62	8.51	10.40	11.35	13.25	15.14



CAUTION! This is a mechanical hot and cold mixing valve only! It does **NOT** provide automatic control of water temperature. Hot water in excess of 110°F (43°C) is dangerous and **CAN CAUSE SCALDING!**



This space for Architect/Engineer approval

Job Name _____ Date _____

Model Specified _____ Quantity _____

Variations Specified _____

Customer/Wholesaler _____

Contractor _____

Architect _____