

ROUGHING IN DIMENSIONS MAY VARY AND ARE SUBJECT TO CHANGE. NO RESPONSIBILITY IS ASSUMED FOR USE OF SUPERCEDED OR VOIDED DATA.



2100 South Clearwater Drive
Des Plaines, IL 60018
Phone: 847-803-5000
Fax: 847-803-5454
www.chicagofaucets.com

ROUGH-IN

FITTING NO.

9100-VCP

SUBMITTED MODEL NO.

BY: JAR

DATE: 02-15-08

CHK: *JAR*

REV:

FOR TECHNICAL ASSISTANCE
1-800-TEC-TRUE (1-800-832-8783)

SUBMITTED AS SHOWN

SUBMITTED AS NOTED

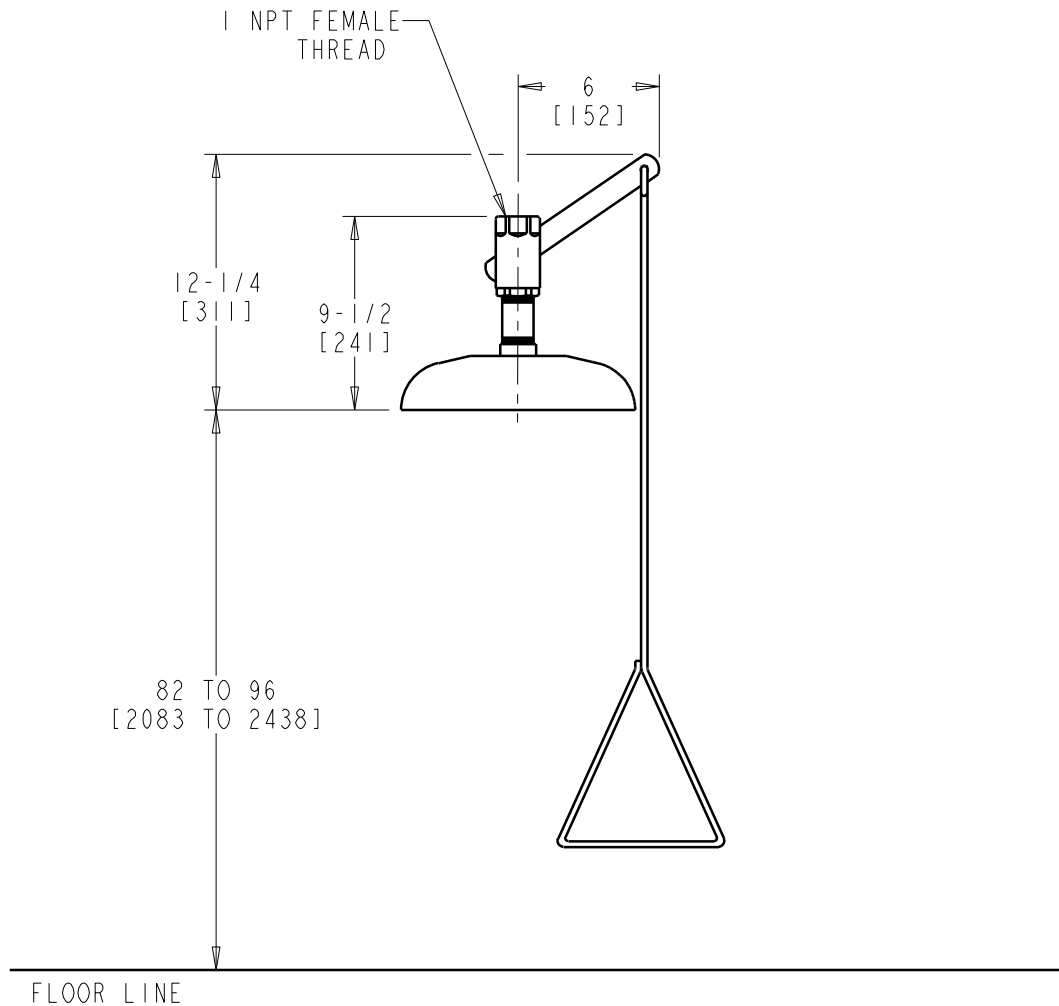
SEE ATTACHED FOR
SUBMITTED MODIFICATION

JOB NAME

ITEM NO.

NOTE:

1. A FLOOR DRAIN SHOULD BE PROVIDED FOR THIS PRODUCT.



DIMENSIONS ARE IN INCHES AND [MILLIMETERS].

TECHNICAL DATA

- VERTICAL SAFETY DRENCH SHOWER
- INSTANT ACTION PULL-TO-OPERATE BALL VALVE
- HIGH POLISHED STAINLESS STEEL SHOWER HEAD
- STAINLESS STEEL PULL ROD WITH TRIANGULAR HANDLE
- CHROME PLATED VALVE AND PIPING
- FINISH: CHROME PLATE
- HIGH VISIBILITY EMERGENCY SIGN AND WEEKLY TEST TAG (NOT SHOWN)
- MEETS ANSI STANDARD Z358.1